



# HYBRIDFLUSH® ACCESSORIES PUSH BUTTON COMPLETE ASSEMBLY

Model  
PB-C

## FUNCTION:

The push button is an alternate flush option for use with AMTC's **HYBRIDFLUSH®** automatic/manual flush valve system.

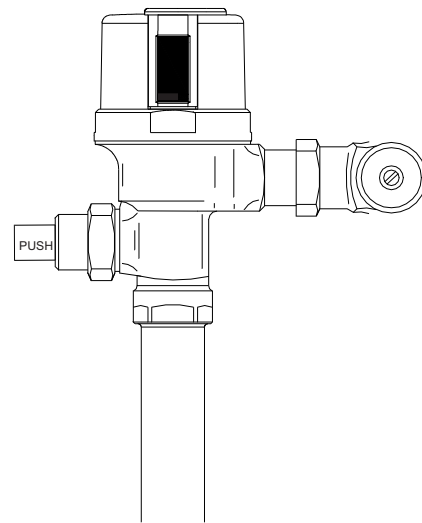
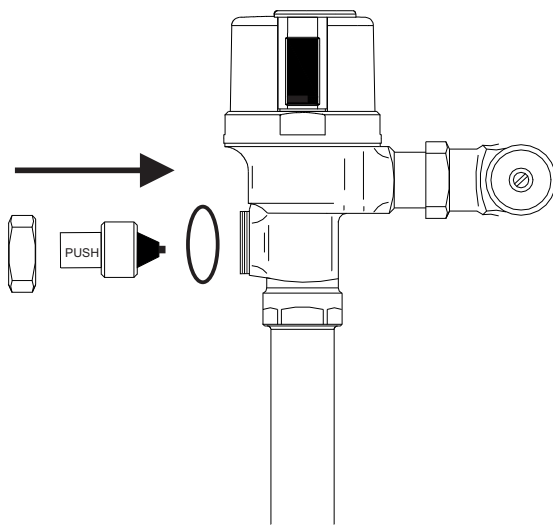
The Push Button Complete Assembly (PB-C) includes all the necessary parts of the push button that replaces the existing cap to convert it into a mechanical push button. Normally, the PB-C is used when changing from an existing automatic flush valve that requires the handle area to be capped off.

By using the push button with the **HYBRIDFLUSH®** system the user is able to flush the urinal or toilet manually even when the batteries on the **HYBRIDFLUSH®** system are drained. Installation of the push button also solves the "handle kicking problem" usually associated with flushometer handles therefore reducing maintenance from leaky seals and extending the life of the flushometer.



## INSTALLATION DIAGRAM:

## APPLICATION:



Advanced Modern Technologies Corporation • 19800 Nordhoff Place • Chatsworth, CA 91311  
Tel: (818) 883-2682 • Toll Free: (800) 874-7822 • Fax: (818) 883-2620 • [www.amtccorporation.com](http://www.amtccorporation.com)