

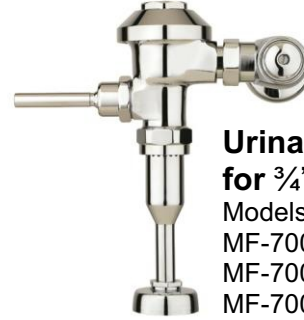


PARTS LIST FOR EXPOSED WATER CLOSET (TOILET) AND URINAL FLUSHOMETERS



Water Closet Flushometer for 1½" Top Spud

Models
MF-700-T11 (HET)
MF-700-T12 (HET)
MF-700-DFT (HET)
MF-700-T16 (LC)



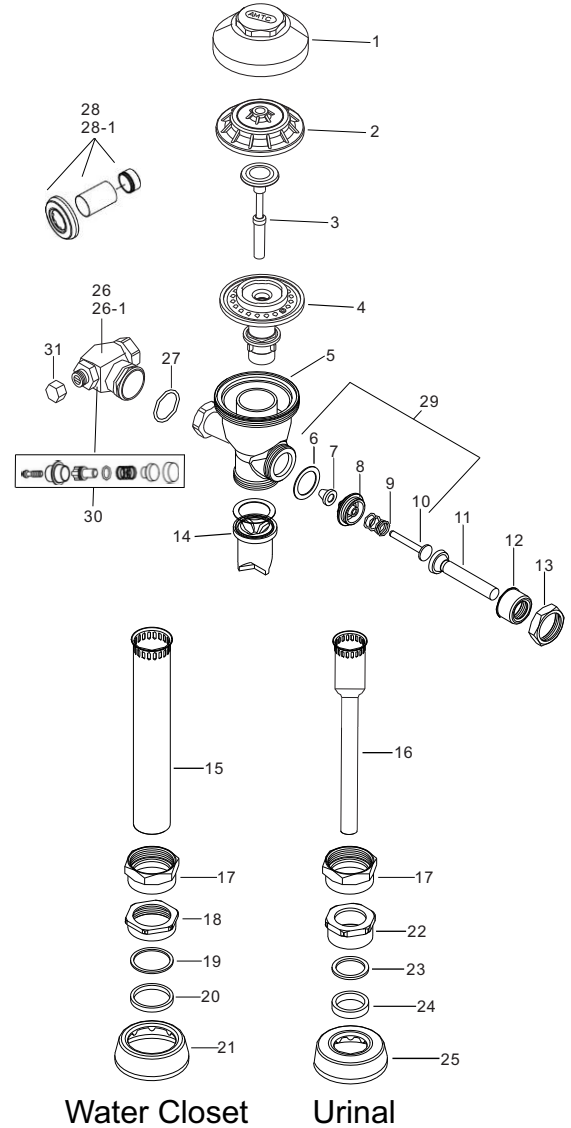
Urinal Flushometer for ¾" Top Spud

Models
MF-700-U18 (HEU)
MF-700-U05 (HEU)
MF-700-U10 (LC)

PARTS LISTS (REFER TO FIGURE A)

Ref. No.	Part No.	Description
1	MF01	Metal Outside Cover
2	MF02	Plastic Inside Cover
3	Refer to Chart Below	Relief Valve Assemblies
4	Refer to Chart Below	Diaphragm Assemblies
5	MF07	Valve Body Assembly
6	MF08-A-1	Handle Washer
7	MF08-A-2	Handle Hycar Seal
8	MF08-A-3	Handle Bushing
9	MF08-A-4	Handle Spring
10	MF08-A-5	Handle Pin
11	MF08-B-1	Handle
12	MF08-B-23	Handle Socket
13	MF08-B-4	Handle Coupling Nut
14	MF09-123	Vacuum Breaker Assembly
15	MF10-A-2T	Tail Piece 1-1/2" (38mm) x 9" (228mm)
16	MF10-A-2U	Tail Piece 3/4" (19mm) x 9" (228mm)
17	MF10-A-1	Tail Piece Coupling Nut
18	MF11-A-1T	Inside Nut for Water Closet 1-1/2" (38mm)
19	MF11-A-2T	Teflon Washer for Water Closet 1-1/2" (38mm)
20	MF11-A-3T	Rubber Washer for Water Closet 1-1/2" (38mm)
21	MF11-A-4T	Escutcheon for Water Closet 1-1/2" (38mm)
22	MF11-D-1U	Inside Nut for Urinal 3/4" (19mm)
23	MF11-D-2U	Teflon Washer for Urinal 3/4" (19mm)
24	MF11-D-3U	Rubber Washer for Urinal 3/4" (19mm)
25	MF11-D-4U	Escutcheon for Urinal 3/4" (19mm)
26	MF1314-3/4	Control Stop Assembly for Urinal (3/4")
26-1	MF1314-1	Control Stop Assembly for Water Closet (1")
27	MF15-2	Control Stop O-Ring
28	MF11-567	Flange Kit for Urinal (3/4")
28-1	MF16-123	Flange Kit for Water Closet (1")
31	MF13-C	Control Stop Screw Cap

FIGURE A



REPAIR KITS

Ref. No.	Part No.	Description
29	MF08-A-123	Handle Repair Kit
14	MF09-123	Vacuum Breaker Assembly
27	MF15-2	Control Stop O-Ring
30	MF13-1-7	Control Stop Repair Kit
14,27,29,30	MF-RK	Flushometer Rebuild Kit (Includes Handle Repair Kit, Vacuum Breaker Assembly, Control Stop O-Ring, Control Stop Repair Kit)

CONTINUED →

PARTS LISTS CONTINUED (REFER TO FIGURE A)

DIAPHRAGMS & RELIEF VALVES

Ref. No.	Part No.	Description
3	DI-RV-U18	Relief Valve Assembly for Manual Flushometer - Urinal 0.125gpf
3	DI-RV-U05	Relief Valve Assembly for Manual Flushometer - Urinal 0.5gpf
3	DI-RV-U10	Relief Valve Assembly for Manual Flushometer - Urinal 1.0gpf
3	DI-RV-U15	Relief Valve Assembly for Manual Flushometer - Urinal 1.5gpf
3	DI-RV-T11	Relief Valve Assembly for Manual Flushometer - Water Closet 1.1gpf
3	DI-RV-T12	Relief Valve Assembly for Manual Flushometer - Water Closet 1.28gpf
3	DI-RV-T16	Relief Valve Assembly for Manual Flushometer - Water Closet 1.6gpf
3	DI-RV-T35	Relief Valve Assembly for Manual Flushometer - Water Closet 3.5gpf
4	DI-SM-U18	Silicone Diaphragm Assembly for Manual Flushometer - Urinal 0.125gpf
4	DI-SM-U05	Silicone Diaphragm Assembly for Manual Flushometer - Urinal 0.5gpf
4	DI-SM-U10	Silicone Diaphragm Assembly for Manual Flushometer - Urinal 1.0gpf
4	DI-SM-U15	Silicone Diaphragm Assembly for Manual Flushometer - Urinal 1.5gpf
4	DI-SM-T11	Silicone Diaphragm Assembly for Manual Flushometer - Water Closet 1.1gpf
4	DI-SM-T12	Silicone Diaphragm Assembly for Manual Flushometer - Water Closet 1.28gpf
4	DI-SM-T16	Silicone Diaphragm Assembly for Manual Flushometer - Water Closet 1.6gpf
4	DI-SM-T35	Silicone Diaphragm Assembly for Manual Flushometer - Water Closet 3.5gpf

DIAPHRAGM REPAIR KITS

Ref. No.	Part No.	Description
3,4	DI-SRKM-U18	Silicone Diaphragm Repair Kit for Manual Flushometer - Urinal 0.125gpf
3,4	DI-SRKM-U05	Silicone Diaphragm Repair Kit for Manual Flushometer - Urinal 0.5gpf
3,4	DI-SRKM-U10	Silicone Diaphragm Repair Kit for Manual Flushometer - Urinal 1.0gpf
3,4	DI-SRKM-U15	Silicone Diaphragm Repair Kit for Manual Flushometer - Urinal 1.5gpf
3,4	DI-SRKM-T11	Silicone Diaphragm Repair Kit for Manual Flushometer - Water Closet 1.1gpf
3,4	DI-SRKM-T12	Silicone Diaphragm Repair Kit for Manual Flushometer - Water Closet 1.28gpf
3,4	DI-SRKM-T16	Silicone Diaphragm Repair Kit for Manual Flushometer - Water Closet 1.6gpf
3,4	DI-SRKM-T35	Silicone Diaphragm Repair Kit for Manual Flushometer - Water Closet 3.5gpf

Parts Price Lists are available online at www.amtccorporation.com or call factory for more information.

NOTE: The information contained in this document is subject to change without notice.

LIMITED WARRANTY

AMTC WARRANTS ITS PRODUCTS TO BE FREE OF DEFECTS IN MATERIAL AND WORKMANSHIP FOR A PERIOD OF FIVE (5) YEARS FROM DATE OF PURCHASE, WHEN PROPERLY INSTALLED AND UNDER NORMAL USE AND SERVICE. THESE PROVISIONS DO NOT INCLUDE THE BATTERIES SHIPPED WITH THE PRODUCTS. A DEFECTIVE PRODUCT MAY BE RETURNED TO AMTC OR ITS AUTHORIZED REPRESENTATIVES WITHIN FIVE (5) YEARS FROM DATE OF PURCHASE WITH THE PROPER INVOICE OF PURCHASE. AMTC AT ITS DISCRETION WILL REPLACE OR REPAIR DEFECTIVE PRODUCT AT NO CHARGE. CLAIMS FOR LABOR, TRANSPORTATION, AND ANY OTHER INCIDENTAL COSTS WILL NOT BE ALLOWED. AMTC WILL NOT BE RESPONSIBLE FOR ANY CONSIDERABLE DAMAGES OF ANY KIND WHATSOEVER.

FOR TECHNICAL SUPPORT PLEASE CALL TOLL FREE 1-800-874-7822 OR VISIT OUR WEBSITE AT WWW.AMTCORPORATION.COM.

MAKE SURE TO VISIT OUR WEBSITE PERIODICALLY FOR INFORMATION ON NEW PRODUCTS AND TO DOWNLOAD ANY IMPORTANT PRODUCT DOCUMENTS THAT YOU MAY NEED IN THE FUTURE.

Advanced Modern Technologies Corporation – 8367 Canoga Avenue, Canoga Park, CA 91304
 Toll Free Tel: 800-874-7822 - Fax: 818-883-2620 - Email: sales@amtccorporation.com - Web: www.amtccorporation.com