



# AUTOMATIC JANITOR

SIDE MOUNT TIMER RETROFIT FOR URINALS

Model  
HSM-801-RAJ

## Description

Battery Powered, Programmable Timer AUTOMATIC JANITOR  
Side Mount Retrofit Conversion Kit for Exposed Urinal Flushometers.

## Flush Cycle

- Model HSM-801-RAJ  
(Flush cycle is determined by flushometer being used)

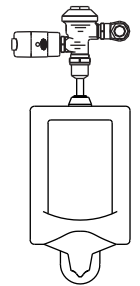
## Retrofit Options

Standard AUTOMATIC JANITOR Side Mount can be used on AMTC flushometers as well as various flushometer models manufactured by Sloan, Zurn, and Helvex.

- Model HSM-801-RAJ-AS (Includes Adapter for American Standard Piston Flushometer)
- Model HSM-801-RAJ-SG (Includes Adapter for Sloan Gem Piston Flushometer)

## Features

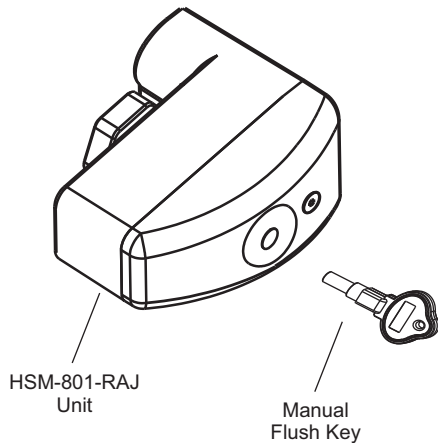
- Patented Gear Motor Drive
- Converts Existing Urinal into HEU (High Efficiency Urinal)
- Provides Significant Water Savings
- Keeps Cleaning Pipes and Porcelain When Facility is Closed
- Helps to Carry Liquid Waste Required Distance
- Easy Programming and Installation
- Programmable Settings Allow Flushing Once Every 1, 2, 3, 4, 6, 12, or 24 Hours For Ultimate Water Savings
- Works in Conjunction With a Urinal Deodorizer/Screen
- Vandal and Water Resistant Design
- Chrome Plated All Metal Housing
- Quiet Operation
- Manual Flush Override Option Using Special Key  
\*Mechanical Override Works When Batteries are Drained
- Operates on (4) "C" Alkaline Batteries (Included)
- Battery Life - 3+ Years
- Beeping "Low Battery" Indicator
- Easy Battery Replacement - No Water Shut Off Necessary
- Installation Tools Included
- No External Volume Adjustment for Water Conservation



\*HSM-801-RAJ Units DO NOT Include Flushometer or Fixture.

## The AUTOMATIC JANITOR Advantage

The Automatic Janitor is a fully programmable automatic flush control device for urinals. The Automatic Janitor converts most urinals into water efficient fixtures by controlling the amount of daily flushes. The flush intervals can be programmed to flush once every 1, 2, 3, 4, 6, 12, or 24 hours. The Automatic Janitor was designed to be used in conjunction with a urinal deodorizer/screen to provide for ultimate water efficiency while eliminating odors.



For Finish Variations Please Consult Factory

Warranty  
5 Years



ADA Compliant

### Architect/Engineer Approval

Job Name	_____
Date	_____
Model Specified	_____
Quantity	_____
Variations Specified	_____
Customer/Wholesaler	_____
Contractor	_____
Architect	_____

The information contained in this document is subject to change without notice.  
Revision (07/16)



# AUTOMATIC JANITOR

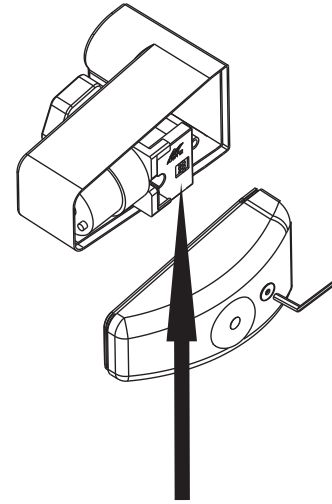
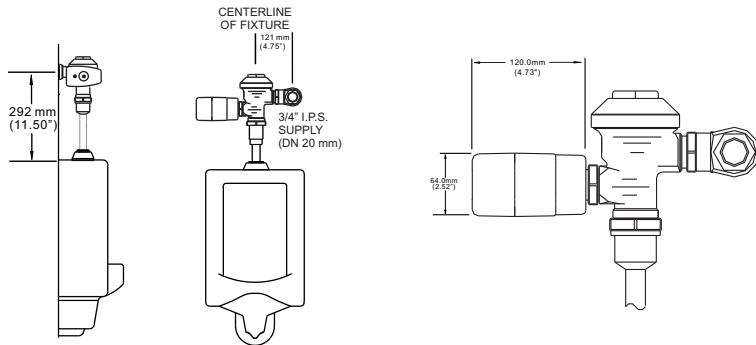
## SIDE MOUNT TIMER RETROFIT FOR URINALS

Model  
HSM-801-RAJ

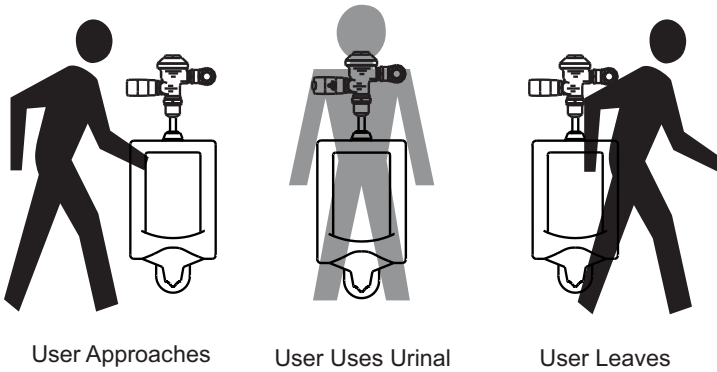
### Specifications

Outer Casing:	Standard-Chrome Metal
Operating Water Pressure:	15 PSI - 100 PSI
Actuation Type:	Programmable Timer
Battery Type:	Four "C" Alkaline Batteries
Battery Life:	3+ Years
Flush Cycle:	Specified by Flushometer
Manual Override:	Manual Flush Key (Mechanical)

### Dimensions



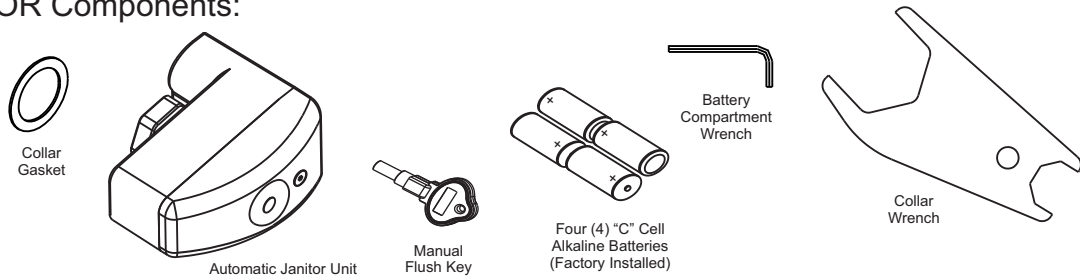
### Operation



### Flush Program Guide

■ = Switch		
1 2 3	NO	= 10 Seconds (Flush Test Setting)
■ = Switch		
1 2 3	NO	= 1 Hour
■ = Switch		
1 2 3	NO	= 2 Hours
■ = Switch		
1 2 3	NO	= 3 Hours
■ = Switch		
1 2 3	NO	= 4 Hours
■ = Switch		
1 2 3	NO	= 6 Hours
■ = Switch		
1 2 3	NO	= 12 Hours
■ = Switch		
1 2 3	NO	= 24 Hours

### AUTOMATIC JANITOR Components:



Advanced Modern Technologies Corporation • 19800 Nordhoff Place • Chatsworth, CA 91311  
Tel: (818) 883-2682 • Toll Free: (800) 874-7822 • Fax: (818) 883 -2620 • www.amtcorporation.com