



# HYBRIDFLUSH® SIDE MOUNT

AUTOMATIC/MANUAL RETROFIT FOR URINALS & WATER CLOSETS (TOILETS)

Model  
HSM-801HW-R

## Description

Hardwired, Sensor Operated HYBRIDFLUSH® Side Mount Retrofit Conversion Kit for Exposed Urinal and Water Closet (Toilet) Flushometers.

## Flush Cycle

- Model HSM-801HW-R  
(Flush cycle is determined by flushometer being used)

## Retrofit Options

Standard HYBRIDFLUSH® Side Mount can be used on AMTC flushometers as well as various flushometer models manufactured by Sloan, Zurn, and Helvex.

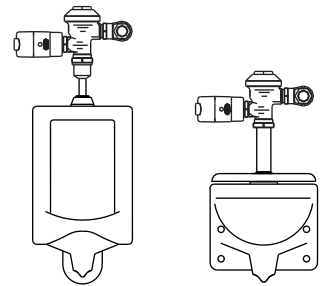
- Model HSM-801HW-R-AS (Includes Adapter for American Standard Piston Flushometer)
- Model HSM-801HW-R-SG (Includes Adapter for Sloan Gem Piston Flushometer)

## Features

- Patented Gear Motor Drive
- Hands Free Infrared Sensor Activation
- Vandal and Water Resistant Design
- Chrome Plated Metal Housing
- Quiet Operation
- Electronic Manual Flush Button (Front)
- True Mechanical Manual Flush Button (Side)  
\*Mechanical Button Works During Power Failure
- Operates on 6-Volt DC Electrical Power
- Adjustable Sensor Distance
- Optional Water Saver Mode
- Optional Three (3) Second Flush Delay Mode
- Optional 24-Hour Flush Mode
- Installation Tools Included
- No External Volume Adjustment for Water Conservation

## Accessories (Add suffix to model number for accessories)

- AMTTRANS6VDC - 6-Volt AC/DC Transformer

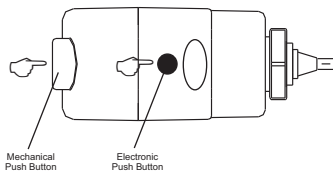


\*HSM-801HW-R Units DO NOT Include Flushometer or Fixture.

## The HYBRIDFLUSH® Advantage

The **HYBRIDFLUSH®** is a revolutionary full-featured automatic/manual retrofit conversion kit. The **HYBRIDFLUSH®** incorporates a unique patented mechanism that allows for automatic/manual operation for unsurpassed reliability. The patented **HYBRIDFLUSH®** design allows for a push button to be used as an alternate flush option that is independent of electrical power. The **HYBRIDFLUSH®** by Advanced Modern Technologies Corporation is the most efficient, economical, and complete automatic flush valve system on the market.

## Visual Indicator Guide



- Electronic Push Button** - Allows manual activation of flush when needed.
- Mechanical Push Button** - Allows manual activation of flush when needed and when electrical power is absent.

**Warranty**  
5 Years



### Architect/Engineer Approval

Job Name	_____
Date	_____
Model Specified	_____
Quantity	_____
Variations Specified	_____
Customer/Wholesaler	_____
Contractor	_____
Architect	_____

For Finish Variations Please Consult Factory

The information contained in this document is subject to change without notice.  
Revision (07/19)



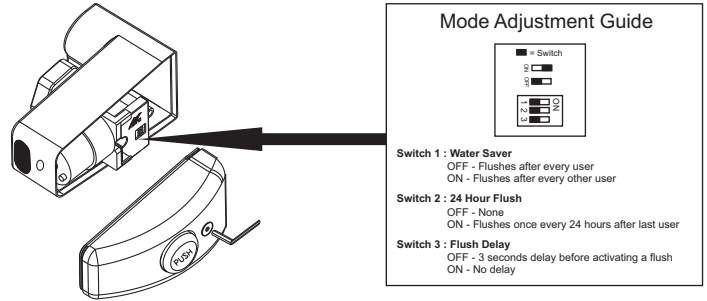
# HYBRIDFLUSH® SIDE MOUNT

AUTOMATIC/MANUAL RETROFIT FOR URINALS & WATER CLOSETS (TOILETS)

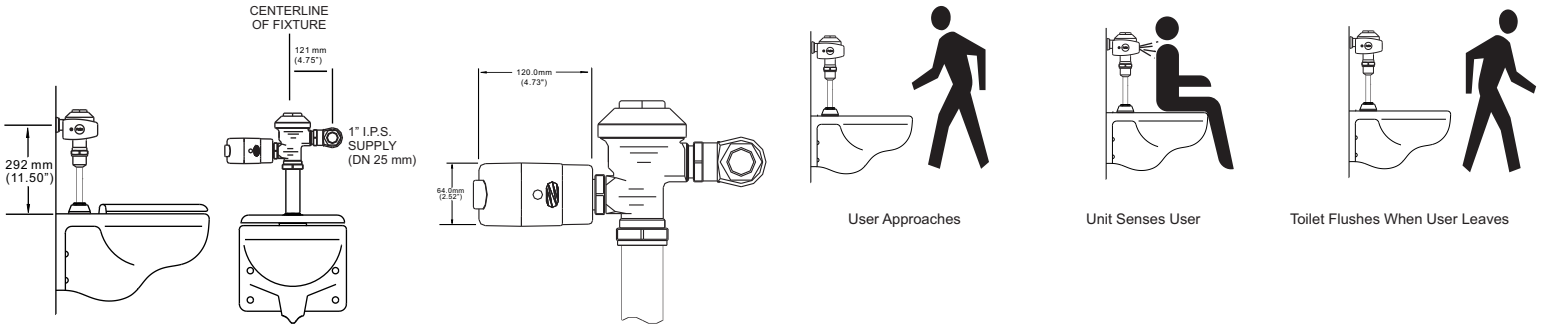
Model  
HSM-801HW-R

## Specifications:

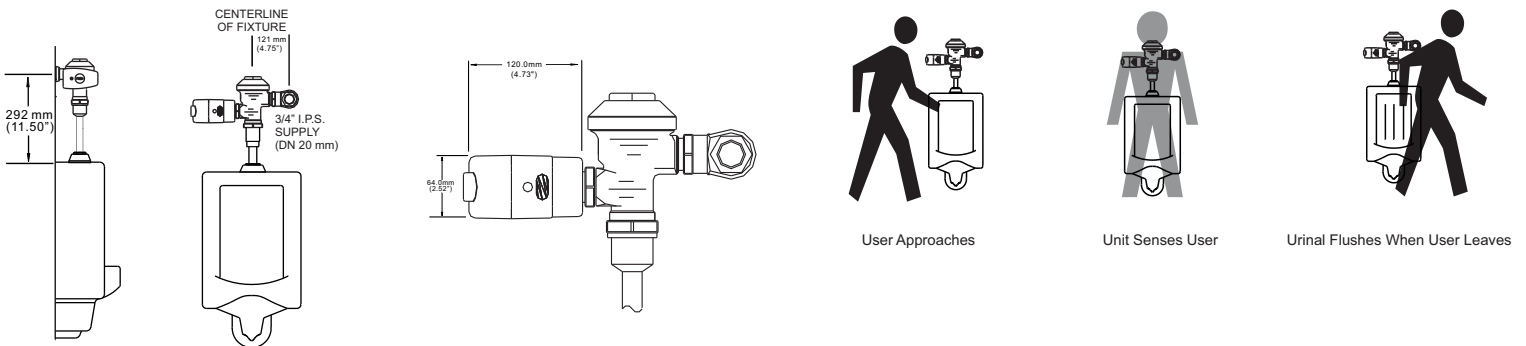
<b>Operation:</b>	Hybrid (Automatic/Manual)
<b>Outer Casing:</b>	Standard-Chrome Metal
<b>Operating Water Pressure:</b>	15 PSI - 100 PSI
<b>Sensor Type:</b>	Infrared
<b>Power Type:</b>	6-Volt DC Electrical Power
<b>Arming Delay:</b>	5 Seconds
<b>Sensing Range:</b>	Adjustable, Default Set to 24" (610mm)
<b>Operation Mode:</b>	Can be Turned On and Off
<b>Water Saver Mode:</b>	Flushes After Every Other User (Urinal Only)
<b>Flush Delay Mode:</b>	3 Seconds Delay Before Activating Flush
<b>24 Hour Flush Mode:</b>	Once Every 24 Hours After Last User
<b>Flush Cycle:</b>	Specified by Flushometer
<b>Manual Override:</b>	Electronic Button/True Mechanical Button



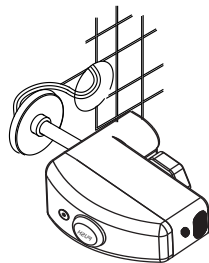
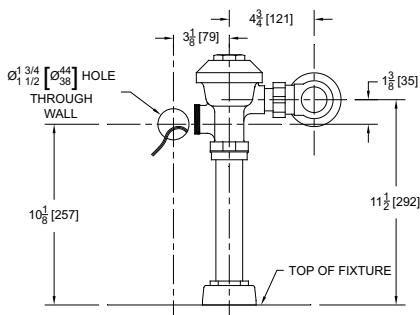
## Operation and Dimensions when installed on a Water Closet (Toilet) Flushometer:



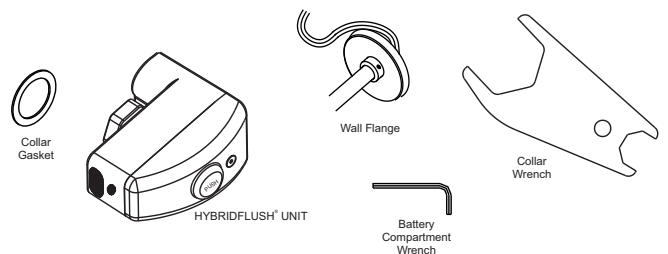
## Operation and Dimensions when installed on a Urinal Flushometer:



## Rough-in Dimensions:



## HYBRIDFLUSH® Side Mount Components:



Advanced Modern Technologies Corporation • 19800 Nordhoff Place • Chatsworth, CA 91311  
Tel: (818) 883-2682 • Toll Free: (800) 874-7822 • Fax: (818) 883-2620 • www.amtcorporation.com