



HYBRIDFLUSH® SIDE MOUNT AUTOMATIC/MANUAL URINAL FLUSHOMETER

Model
HSM-801HW-CU-05

Description

Hardwired, Sensor Operated HYBRIDFLUSH® Side Mount Exposed Urinal Flushometer for Wall Hung Top Spud Bowls.

Flush Cycle

□ Model HSM-801HW-CU-05 (0.5 gpf/1.9 Lpf)

Features

- Patented Gear Motor Drive
- Hands Free Infrared Sensor Activation
- Vandal and Water Resistant Design
- Chrome Plated Metal Housing
- Quiet Operation
- Electronic Manual Flush Button (Front)
- True Mechanical Manual Flush Button (Side)
- *Mechanical Button Works During Power Failure
- Adjustable Sensor Distance
- Optional Water Saver Mode
- Optional Three (3) Second Flush Delay Mode
- Optional 24-Hour Flush Mode
- Uses Proprietary Silicone Diaphragm with Filtered Bypass
- 3/4" I.P.S. Angle Stop
- Adjustable Tailpiece
- High Back Pressure Vacuum Breaker with Single Piece Hex Coupling Nut
- Spud Coupling and Flange for 3/4" Top Spud
- Sweat Solder Kit and Wall Flange with Set Screw
- High Efficiency For Water Conservation



*HSM-801HW-CU units include a Valve Body, Supply Stop and Vacuum Breaker.



The HYBRIDFLUSH® Advantage

The **HYBRIDFLUSH®** is a revolutionary full-featured automatic/manual flushometer. The **HYBRIDFLUSH®** incorporates a unique patented mechanism that allows for automatic/manual operation for unsurpassed reliability. The patented **HYBRIDFLUSH®** design allows for a push button to be used as an alternate flush option that is independent of the electrical power. The **HYBRIDFLUSH®** by Advanced Modern Technologies Corporation is the most efficient, economical, and complete automatic flush valve system on the market.

Warranty
5 Years




ADA Compliant

Code Compliance (Listed By IAPMO)

- ASSE 1037-2015
- ASME A112.1035-2015
- CSA B125.37-15
- EPA WaterSense (When Used With a WaterSense Listed Bowl)



Architect/Engineer Approval

Job Name	_____
Date	_____
Model Specified	_____
Quantity	_____
Variations Specified	_____
Customer/Wholesaler	_____
Contractor	_____
Architect	_____

For Finish Variations Please Consult Factory

The information contained in this document is subject to change without notice.
Revision (09/20)



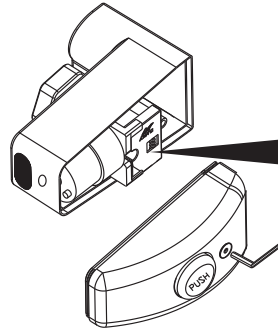
HYBRIDFLUSH[®] SIDE MOUNT

AUTOMATIC/MANUAL URINAL FLUSHOMETER

Model
HSM-801HW-CU-05

Specifications:

Operation:	Hybrid (Automatic/Manual)
Outer Casing:	Standard-Chrome Metal
Operating Water Pressure:	15 PSI - 100 PSI
Sensor Type:	Infrared
Power Type:	6-Volt DC Electrical Power
Arming Range:	5 Seconds
Sensing Range:	Adjustable, Default Set to 24" (610mm)
Operation Mode:	Can be Turned On and Off
Water Saver Mode:	Flushes After Every Other User
Flush Delay Mode:	3 Seconds Delay Before Activating Flush
24 Hour Flush Mode:	Once Every 24 Hours After Last User
Flush Cycle:	
Model HSM-801HW-CU-05	0.5 gpf/1.9 Lpf
Manual Override:	Electronic Button/True Mechanical Button



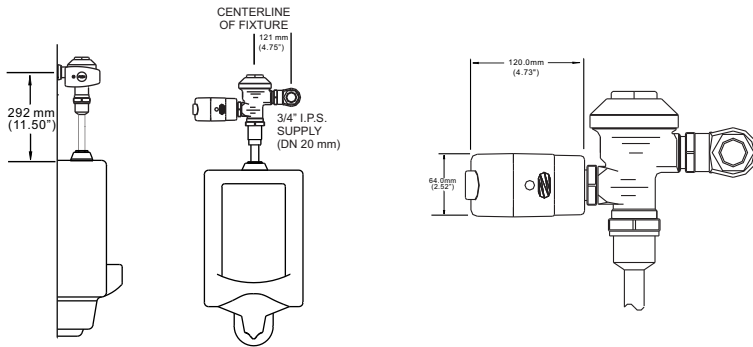
Mode Adjustment Guide

Switch 1 : Water Saver
 OFF - Flushes after every user
 ON - Flushes after every other user

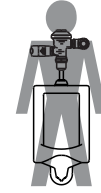
Switch 2 : 24 Hour Flush
 OFF - None
 ON - Flushes once every 24 hours after last user

Switch 3 : Flush Delay
 OFF - 3 seconds delay before activating a flush
 ON - No delay

Rough-in Dimensions:



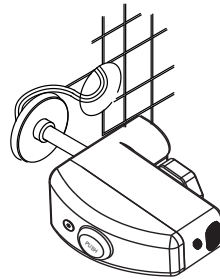
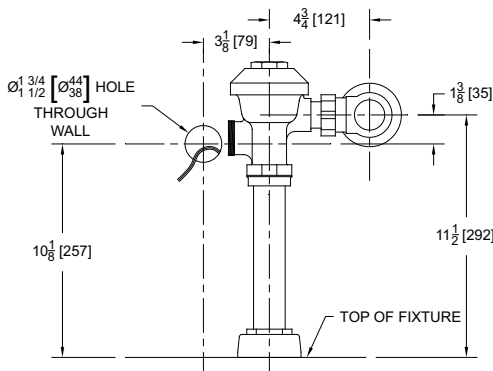
User Approaches



Unit Senses User



Urinal Flushes When User Leaves



HYBRIDFLUSH[®] Side Mount Components:

Collar Gasket

HYBRIDFLUSH[®] UNIT

Wall Flange

Collar Wrench

Battery Compartment Wrench