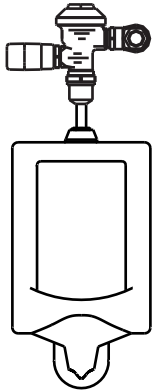


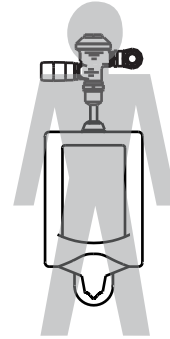


HSM-801AJ Series

AUTOMATIC JANITOR SIDEMOUNT for Urinals Installation and Operation Manual



User Approaches



User Uses Urinal



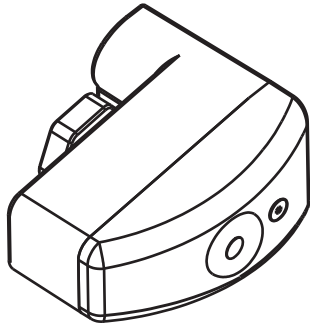
User Leaves

The Automatic Janitor is a fully programmable automatic flush control device for urinals. The Automatic Janitor converts most urinals into water efficient fixtures by controlling the amount of daily flushes. The flush intervals can be programmed to flush once every 1, 2, 3, 4, 6, 12, or 24 hours. The Automatic Janitor was designed to be used in conjunction with a urinal deodorizer/screen to provide for ultimate water efficiency while eliminating odors.

1 Automatic Janitor Components



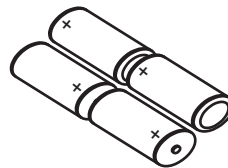
Collar Gasket



Automatic Janitor Unit



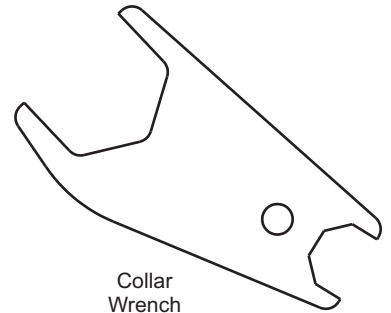
Manual Flush Key



Four (4) "C" Cell Alkaline Batteries (Factory Installed)



Battery Compartment Wrench



Collar Wrench

2 Installation

PRE-INSTALLATION NOTE:

Although not necessary, it is recommended to shut off water supply at stop.

A Using the supplied collar wrench, loosen handle from flush valve.

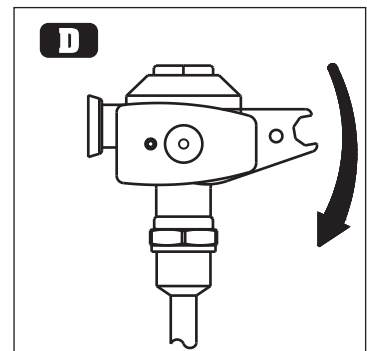
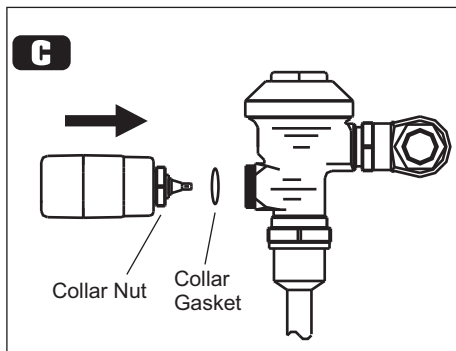
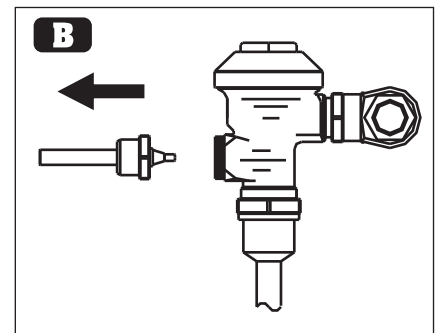
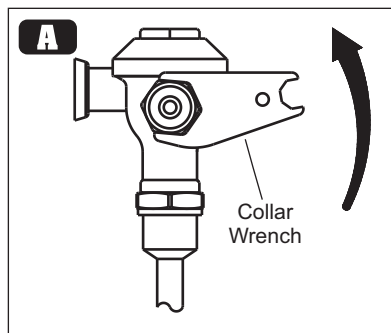
B Remove handle from flush valve.

Note: A small amount of water may drip out while removing handle so be prepared to collect it with a rag or towel.

C Place collar gasket into collar nut and attach the Automatic Janitor unit where the handle was removed.

D Tighten collar nut using the supplied collar wrench.

NOTE: Save removed handle in case you need to reuse for service of Automatic Janitor unit.



3 Set Flush Program

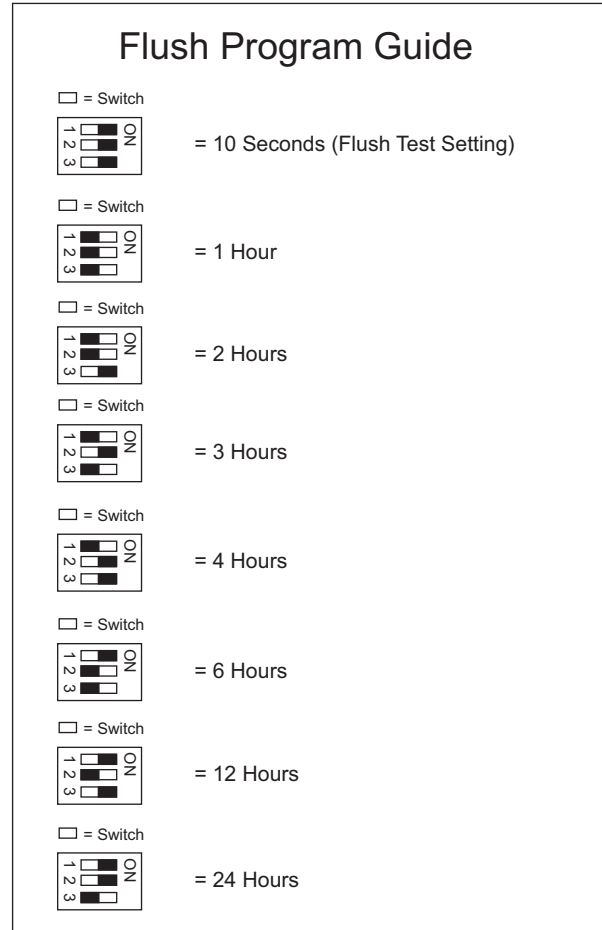
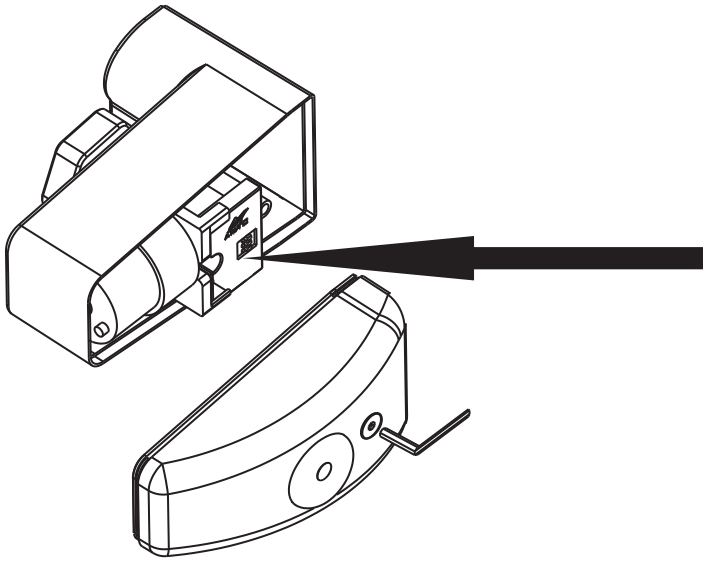
Once installed and before activation, the Automatic Janitor unit must be programmed to flush at a specific interval of time. The unit can be set to flush once every 1 Hour, 2 Hours, 3 Hours, 4 Hours, 6 Hours, 12 Hours, or 24 Hours.

A Flush Test Setting is included to test for proper installation of the unit. The Flush Test Setting will cause the unit to flush once every 10 seconds (This setting should only be used to test that the unit is installed and operating properly and then be changed).

NOTE: Once a flush setting is chosen and unit is activated, the flush program begins. To change the flush program after activation you must unplug the battery connector, set the new program, and re-activate the unit (see Step 4).

To set the flush program:

Remove side cover using battery compartment wrench and refer to the "Flush Program Guide" diagram for switch settings.

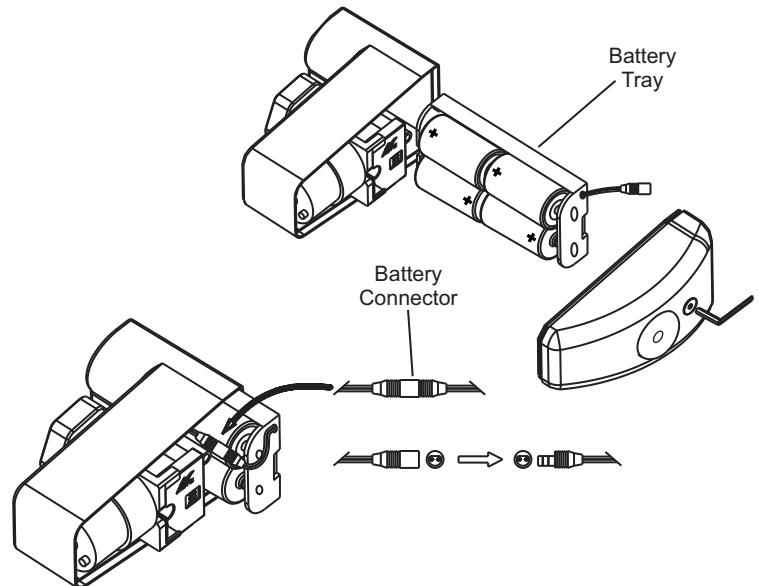


4 Activation

NOTE: Four (4) "C" Cell batteries are factory installed inside the Automatic Janitor unit. The unit is shipped from factory with battery tray unplugged and must be plugged in to activate after desired flush program is set (See Step 3).

To activate the Automatic Janitor:

- A - Using supplied battery compartment wrench, remove side cover.
- B - Plug in battery connector.
(NOTE: Flush program begins once plug is connected)
- C - Reinstall side cover using battery compartment wrench.



NOTE: Once a flush setting is chosen and unit is activated, the flush program begins. To change the flush program after activation you must unplug the battery connector, set the new program, and re-activate the unit.

5 Manual Flush

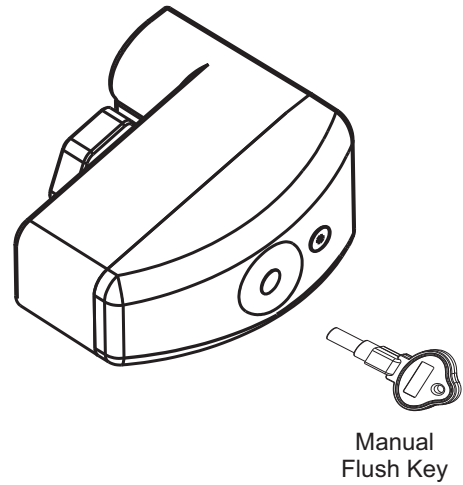
The Automatic Janitor includes a manual flush option.

To activate a manual flush simply insert the Manual Flush Key (included) into the slot located on the side of the unit and press until flush is activated.

SUGGESTION:

The Manual Flush Key can be used to initiate a manual flush at any time. The key should be kept in a safe place or be attached to key chain of custodial staff for easy access.

NOTE: Activating a manual flush does not affect the program settings.

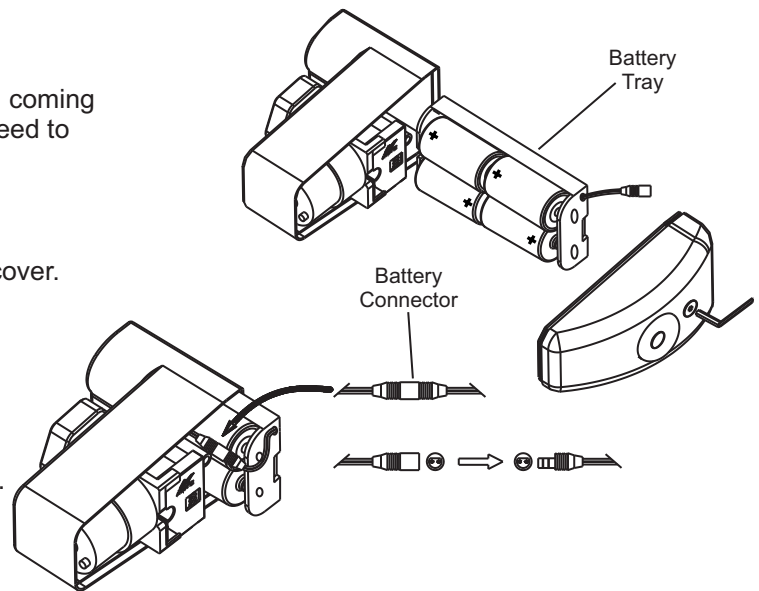


6 Battery Replacement

When batteries are low you will hear a tone or “beeping” sound coming from inside the unit. The tone indicates batteries are low and need to be replaced.

To replace batteries:

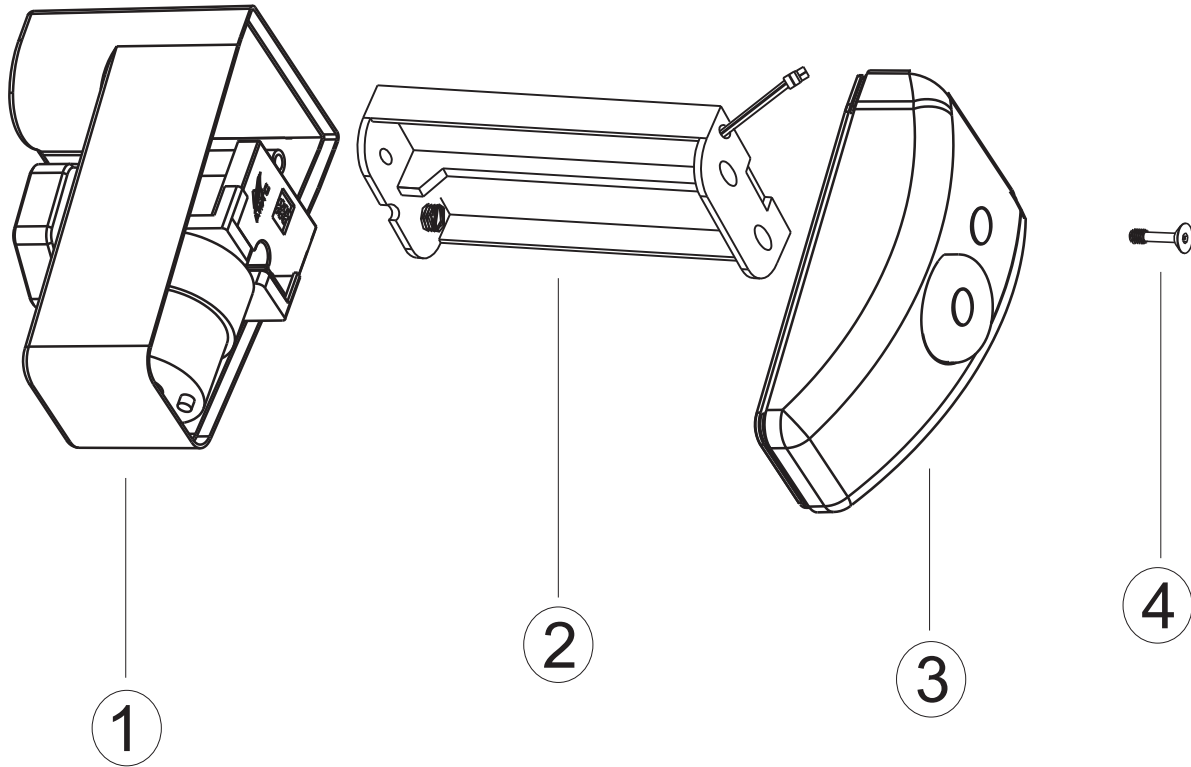
- A - Using supplied battery compartment wrench, remove side cover.
- B - Unplug battery connector and slide out battery tray.
- C - Remove old batteries from tray and load new batteries (note position of batteries in tray).
- D - Reinstall battery tray into unit and plug in battery connector.
- E - Reinstall side cover using battery compartment wrench.



Troubleshooting Guide

PROBLEM	CAUSE	SOLUTION
Tone or “beeping” sound	Low battery indicator.	Replace batteries.
Not enough water to fixture or too much water to fixture.	Diaphragm damaged. Valve control stop improperly adjusted.	Replace diaphragm. Adjust valve control stop.
Valve will not operate.	Batteries are drained. Water supply is turned off. Relief valve (diaphragm plunger) is damaged.	Replace batteries. Turn water on. Replace relief valve (diaphragm plunger). If the unit does not begin to function, call customer service at 1-800-874-7822.
Valve does not shut off.	Dirt or debris preventing diaphragm from functioning properly.	Remove dirt or debris on diaphragm. Replace Diaphragm.

Parts List



Ref. #	Part #	Description
1	HSM-AAAJ	AUTOMATIC JANITOR Sidemount Actuator Assembly
2	HSM-BTAJ	AUTOMATIC JANITOR Sidemount Battery Tray
3	HSM-SCAAJ	AUTOMATIC JANITOR Sidemount Side Cover Assembly
4	HSM-SCSAJ	AUTOMATIC JANITOR Sidemount Side Cover Screw

WARRANTY

AMTC WARRANTS ITS PRODUCTS TO BE FREE OF DEFECTS IN MATERIAL AND WORKMANSHIP FOR A PERIOD OF FIVE (5) YEARS FROM DATE OF PURCHASE, WHEN PROPERLY INSTALLED AND UNDER NORMAL USE AND SERVICE. THESE PROVISIONS DO NOT INCLUDE THE BATTERIES SHIPPED WITH THE PRODUCTS. A DEFECTIVE PRODUCT MAY BE RETURNED TO AMTC OR ITS AUTHORIZED REPRESENTATIVES WITHIN FIVE (5) YEARS FROM DATE OF PURCHASE WITH THE PROPER INVOICE OF PURCHASE. AMTC AT ITS DISCRETION WILL REPLACE OR REPAIR DEFECTIVE PRODUCT AT NO CHARGE. CLAIMS FOR LABOR, TRANSPORTATION, AND ANY OTHER INCIDENTAL COSTS WILL NOT BE ALLOWED. AMTC WILL NOT BE RESPONSIBLE FOR ANY CONSIDERABLE DAMAGES OF ANY KIND WHATSOEVER.

FOR TECHNICAL SUPPORT PLEASE CALL TOLL FREE 1-800-874-7822 OR VISIT OUR WEBSITE AT WWW.AMTCORPORATION.COM

MAKE SURE TO VISIT OUR WEBSITE PERIODICALLY FOR INFORMATION ON NEW PRODUCTS AND TO DOWNLOAD ANY IMPORTANT PRODUCT DOCUMENTS THAT YOU MAY NEED IN THE FUTURE.



Advanced Modern Technologies Corporation

8367 Canoga Avenue, Canoga Park, CA 91304

Tel: (818) 883-2682 Toll Free (800) 874-7822 Fax: (818) 883-2620

www.amtcorporation.com