



AUTOMATIC JANITOR

SIDE MOUNT TIMER URINAL FLUSHOMETER

Model
HSM-801AJ-CU-10

Description

Battery Powered, Programmable Timer Operated AUTOMATIC JANITOR
Side Mount Exposed Urinal Flushometer for Wall Hung Top Spud Bowls.

Flush Cycle

□ Model HSM-801AJ-CU-10 (1.0 gpf / 3.8 Lpf)

Features

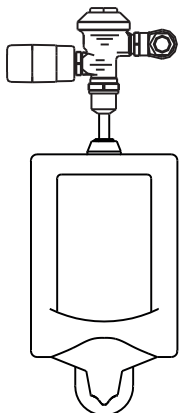
- Patented Gear Motor Drive
- Converts Existing Urinal into HEU (High Efficiency Urinal)
- Provides Significant Water Savings
- Keeps Cleaning Pipes and Porcelain When Facility is Closed
- Helps to Carry Liquid Waste Required Distance
- Easy Programming and Installation
- Programmable Settings Allow Flushing Once Every 1, 2, 3, 4, 6, 12, or 24 Hours For Ultimate Water Savings
- Works in Conjunction With a Urinal Deodorizer/Screen
- Vandal and Water Resistant Design
- Chrome Plated All Metal Housing
- Quiet Operation
- Manual Flush Override Option Using Special Key
- *Mechanical Override Works When Batteries are Drained
- Operates on (4) "C" Alkaline Batteries (Included)
- Battery Life - 3+ Years
- Beeping "Low Battery" Indicator
- Easy Battery Replacement - No Water Shut Off Necessary
- Uses Proprietary Silicone Diaphragm with Filtered Bypass
- 3/4" I.P.S. Angle Stop
- Adjustable Tailpiece
- High Back Pressure Vacuum Breaker with Single Piece Hex Coupling Nut
- Spud Coupling and Flange for 3/4" Top Spud
- Sweat Solder Kit and Wall Flange with Set Screw
- Low Consumption For Water Conservation



*HSM-801AJ-CU units include a Valve Body, Supply Stop and Vacuum Breaker.

The AUTOMATIC JANITOR Advantage

The Automatic Janitor is a fully programmable automatic flush control device for urinals. The Automatic Janitor converts most urinals into water efficient fixtures by controlling the amount of daily flushes. The flush intervals can be programmed to flush once every 1, 2, 3, 4, 6, 12, or 24 hours. The Automatic Janitor was designed to be used in conjunction with a urinal deodorizer/screen to provide for ultimate water efficiency while eliminating odors.



For Finish Variations Please Consult Factory

Warranty
5 Years



Architect/Engineer Approval	
Job Name	_____
Date	_____
Model Specified	_____
Quantity	_____
Variations Specified	_____
Customer/Wholesaler	_____
Contractor	_____
Architect	_____

The information contained in this document is subject to change without notice.
Revision (07/16)



AUTOMATIC JANITOR

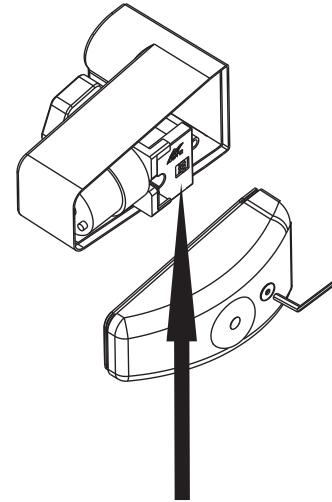
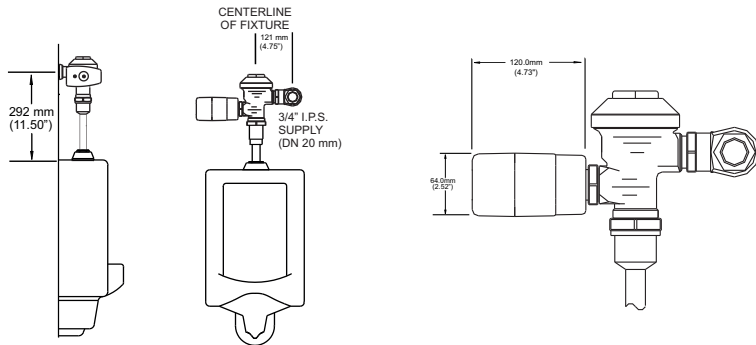
SIDE MOUNT TIMER URINAL FLUSHOMETER

Model
HSM-801AJ-CU-10

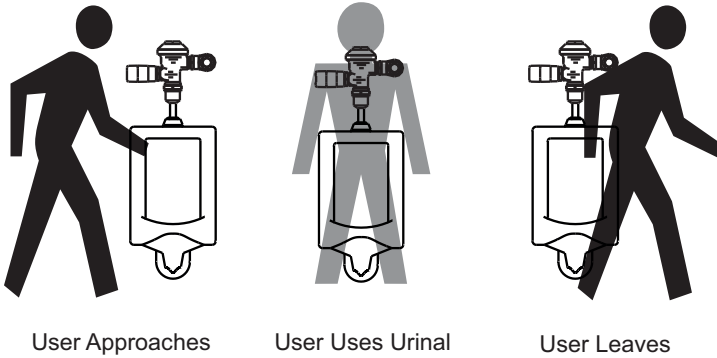
Specifications

Outer Casing:	Standard-Chrome Metal
Operating Water Pressure:	15 PSI - 100 PSI
Actuation Type:	Programmable Timer
Battery Type:	Four "C" Alkaline Batteries
Battery Life:	3+ Years
Flush Cycle:	1.0 gpf / 3.8 Lpf
Manual Override:	Manual Flush Key (Mechanical)

Dimensions



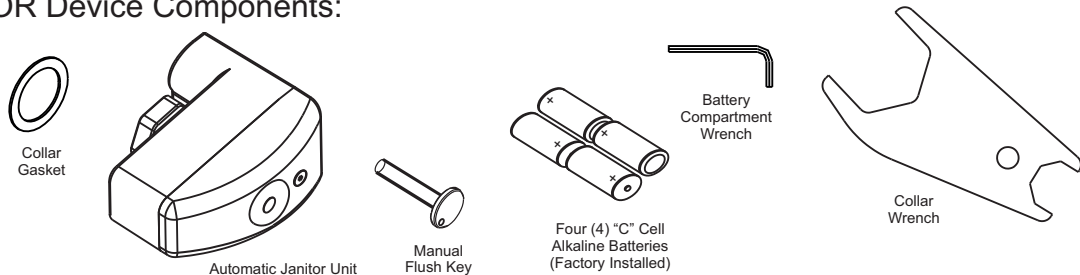
Operation



Flush Program Guide

■ = Switch 1 2 3	= 10 Seconds (Flush Test Setting)
■ = Switch 1 2 3	= 1 Hour
■ = Switch 1 2 3	= 2 Hours
■ = Switch 1 2 3	= 3 Hours
■ = Switch 1 2 3	= 4 Hours
■ = Switch 1 2 3	= 6 Hours
■ = Switch 1 2 3	= 12 Hours
■ = Switch 1 2 3	= 24 Hours

AUTOMATIC JANITOR Device Components:



Advanced Modern Technologies Corporation • 19800 Nordhoff Place • Chatsworth, CA 91311
Tel: (818) 883-2682 • Toll Free: (800) 874-7822 • Fax: (818) 883-2620 • www.amtcorporation.com