

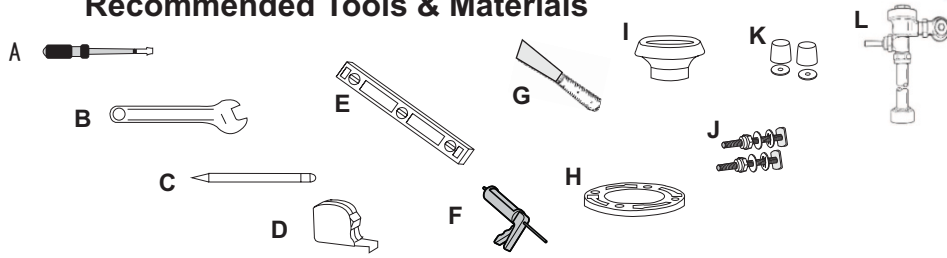


INSTALLATION INSTRUCTIONS

AUT-1012 / AUT-1012A Floor Mount Flush Valve Bowl

- (A) Regular Screwdriver
- (B) Adjustable Wrench
- (C) Marker
- (D) Tape Measure
- (E) Level
- (F) Silicone Sealant
- (G) Putty Knife
- (H) Floor Flange
- (I) Wax Ring Seal
- (J) Closet "T" Bolts
- (K) Bolt Caps and Snap Base
- (L) Flush Valve (Sold Separately, Not Included)

Recommended Tools & Materials



Note: Views in this illustration are for general representation and may not necessarily define the exact contours of the product.

CAUTION: PRODUCT IS FRAGILE

Handle with care to avoid breakage and possible injury!

If replacing an existing toilet, be certain to shut off water supply before removing old toilet.

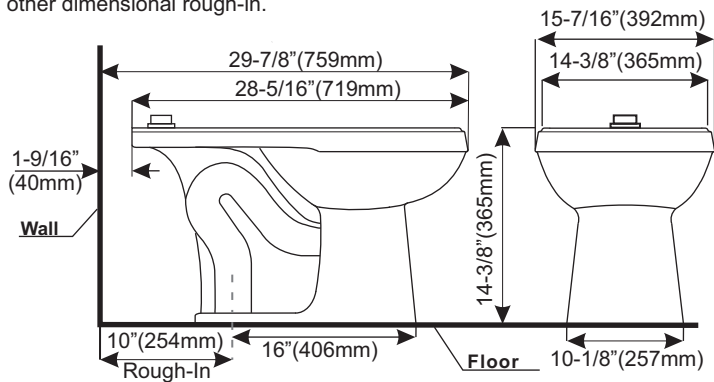
Floor Mount Flush Valve Bowl Installation

Models: AUT-1012 / AUT-1012A

Note: This toilet is designed to rough-in at the standard dimension of 10" (254mm) and 12" (305mm) from the wall to the C/L of the outlet.

This drawing reflects a 10" (254mm) rough-in and additional calculations must be considered for a 12" (305mm) or any other dimensional rough-in.

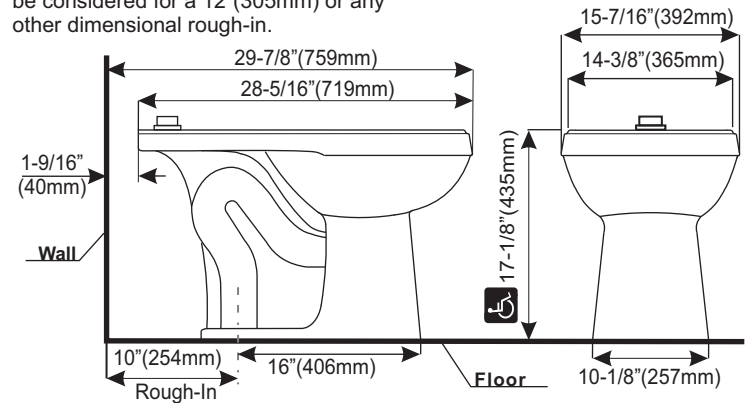
AUT-1012 Elongated Rim
Nominal Dimensions:
 28-5/16" (719mm) Long
 15-7/16" (392mm) Wide
 14-3/8" (365mm) High



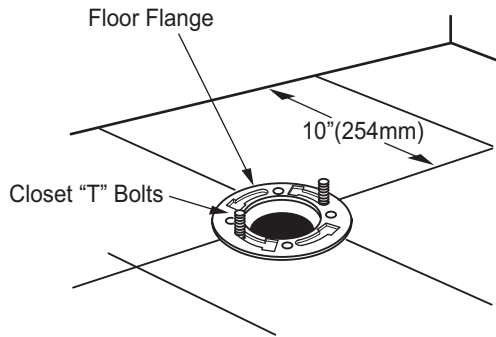
Note: This toilet is designed to rough-in at the standard dimension of 10" (254mm) and 12" (305mm) from the wall to the C/L of the outlet.

This drawing reflects a 10" (254mm) rough-in and additional calculations must be considered for a 12" (305mm) or any other dimensional rough-in.

AUT-1012A ADA Elongated Rim
Nominal Dimensions:
 28-5/16" (719mm) Long
 15-7/16" (392mm) Wide
 17-1/8" (435mm) High

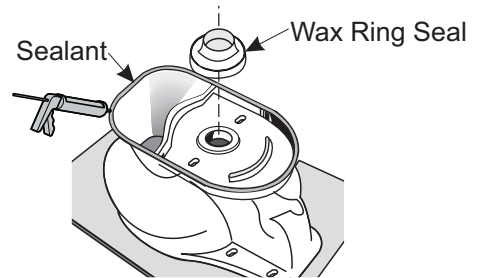


1 Install Closet Bolts on the Floor Flange



Install the closet "T" bolts into the flange channel, turn the bolt 90° to lock into place and set the bolts parallel to the wall and 6" (152mm) apart.

2 Install Wax Ring Seal on the Bowl Bottom



Turn the toilet upside-down on a rug or cushion to prevent damage to the surface, press the wax ring seal evenly around the waste flange, the tapered end of the wax ring seal will fit into the floor flange. Apply a thin bead of sealant around the toilet foot base where it meets the floor.



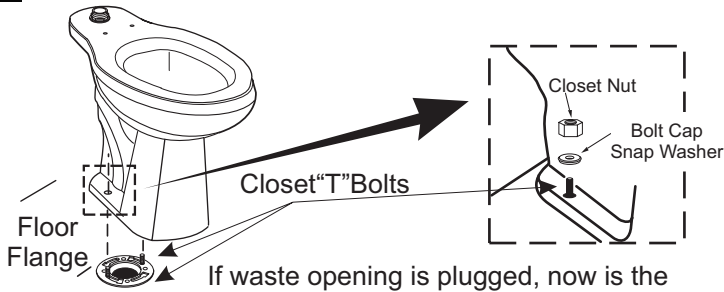
AUT-1012 / AUT-1012A
 Rev. 4/16



INSTALLATION INSTRUCTIONS

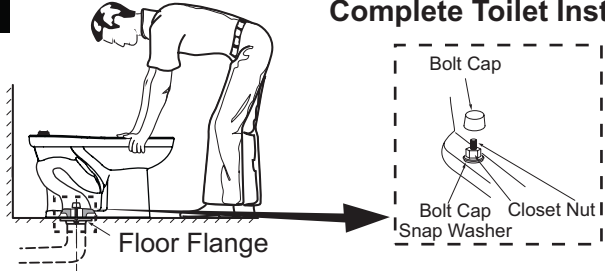
AUT-1012 / AUT-1012A Floor Mount Flush Valve Bowl

3 Setting the Toilet onto the Floor Flange



If waste opening is plugged, now is the time to remove the plug before setting the toilet. Set the toilet onto the floor flange aligning the closet "T" bolts with the openings on the foot. Install the snap washers that are supplied with the closet bolt caps on the closet "T" bolts before loosely installing the nuts. Be sure the snap washer is set "This Side Up" correctly.

4 Complete Toilet Installation



Position the toilet squarely to the wall and with a rocking motion, press the bowl down fully on the wax ring seal floor flange, check for level across the rim. Alternately tighten the closet nuts until the toilet is seated firmly to the floor.

⚠ CAUTION: PRODUCT IS FRAGILE

If necessary, trim the closet "T" bolt height before installing the bolt caps. Snap the bolt caps onto the snap washers. Smooth out the sealant around the foot base and remove any excess sealant.

Do Not over tighten nuts or the product may be damaged!

Care and Maintenance

When cleaning your fixtures, wash it with mild, soapy water, rinse thoroughly with clear water and dry with a soft cloth.

Avoid detergents, disinfectants, or cleaning products in aerosol cans.

NEVER use abrasive scouring powders or abrasive pads on your fixture. Some bathroom chemicals and cosmetics may damage the fixture finish.

Caution: Product is Fragile.
To avoid breakage and possible injury handle with care!

One (1) Year Limited Warranty

AMTC warrants its vitreous china to be free of defects in material and workmanship for a period of one (1) year from date of purchase, when properly installed and under normal use and service. A defective product may be returned to AMTC, or its authorized representatives, within one (1) year from date of purchase with the proper invoice of purchase. AMTC, at its discretion, will replace or repair defective product at no charge. Claims for labor, transportation, and any other incidental costs will not be allowed. AMTC will not be responsible for any considerable damages of any kind whatsoever.

For Technical Support:
Call Toll Free: 800-874-7822
Email: technicalsupport@AMTcorporation.com
Web: www.AMTCcorporation.com

Make sure to visit our website periodically for information on new products and to download any important documents that you may need in the future.



Advanced Modern Technologies Corporation
19800 Nordhoff Place, Chatsworth, CA 91311 USA
Toll Free Tel: 800-874-7822 • Tel: 818-883-2682 • Fax: 818-883-2620
sales@AMTcorporation.com • www.AMTCcorporation.com

AUT-1012 / AUT-1012A
Rev. 4/16