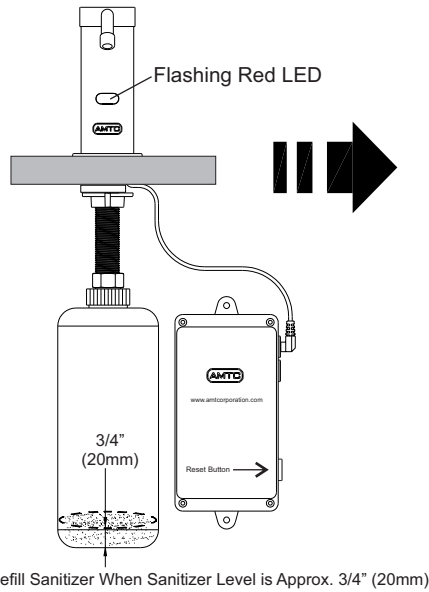




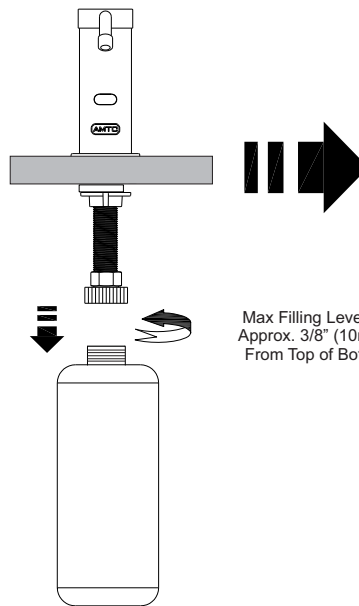
ASD-700 HY-GENIE™ AUTOMATIC FOAM SANITIZER DISPENSER REFILL INSTRUCTIONS

Sanitizer Refill Instructions:

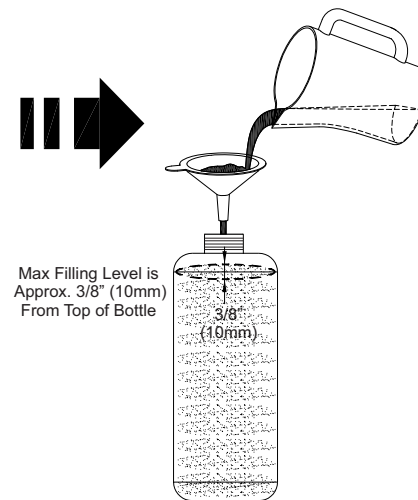
1. Flashing Red LED Indicates Low Sanitizer



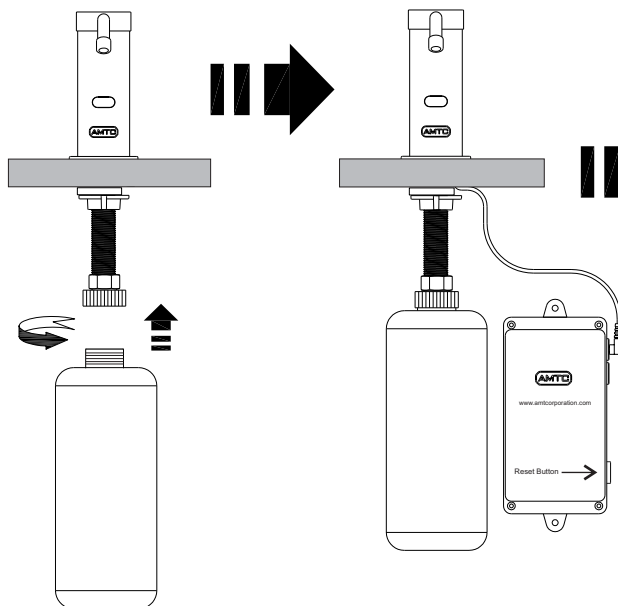
2. Unscrew Foam Sanitizer Bottle



3. Refill Foam Sanitizer Bottle



4. Re-install Foam Sanitizer Bottle



5. Press and Hold Reset Button for 7 Seconds to Prime New Sanitizer and Reset Flashing Red LED.

