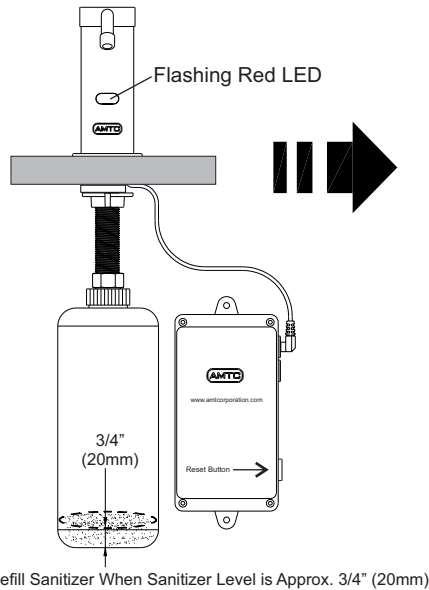




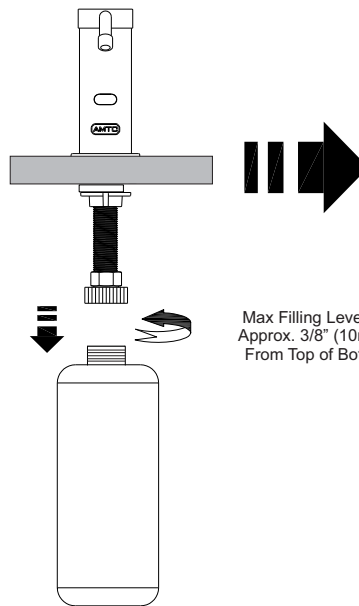
ASD-600 HY-GENIE™ AUTOMATIC LIQUID SANITIZER DISPENSER REFILL INSTRUCTIONS

Sanitizer Refill Instructions:

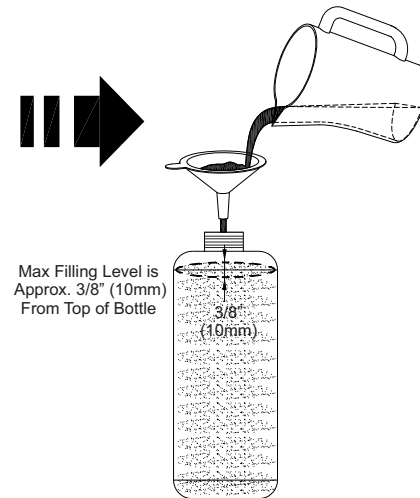
1. Flashing Red LED Indicates Low Sanitizer



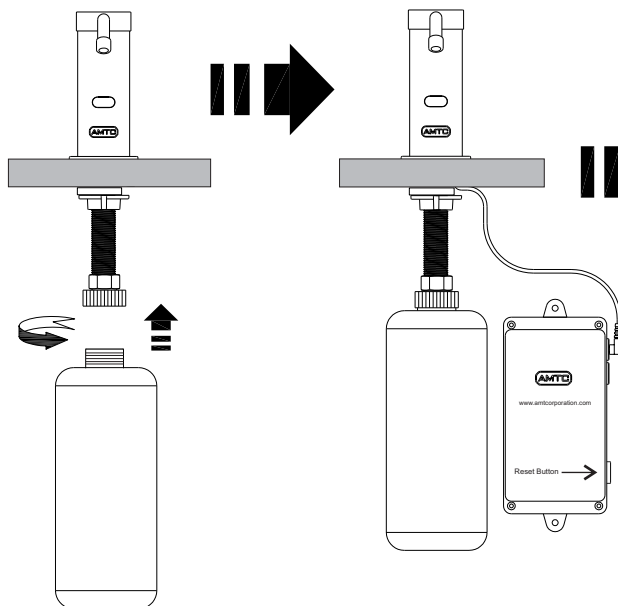
2. Unscrew Liquid Sanitizer Bottle



3. Refill Liquid Sanitizer Bottle



4. Re-install Liquid Sanitizer Bottle



5. Press and Hold Reset Button for 7 Seconds to
Prime New Sanitizer and Reset Flashing Red LED.

