



# FOAMFLO<sup>®</sup> AUTOMATIC FOAM SOAP DISPENSER SYSTEM

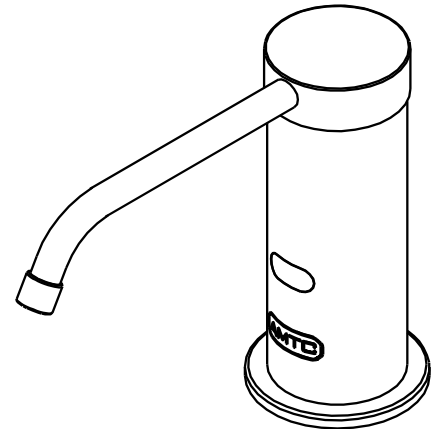
Model  
ASD-500EL

## Description

Sensor Operated, Gear Motor Driven, Chrome Plated Polished Brass Counter Mount Automatic Foam Soap Dispenser System

## Specifications

- Chrome Plated Polished Brass Spout (Standard)
- Gear Motor Drive
- Hands Free Infrared Sensor Activation
- Easy Installation
- Powered by Four (4) Alkaline D-Cell Batteries (Not Included)
- Battery Life : 90,000 Cycles or 2 Years
- Optional Plug-in 6 Volt AC Power Adapter (Not Included)
- Universal Refillable Foam Soap Container (800ml/27Fl. Oz.)
- Dispenses 0.8ml of Concentrated, Rich Foam Per Dose
- 1,000 Hand Washes per 800ml Bottle
- Mounts Through 1" (25.4mm) Diameter Hole in Lavatory or Countertop
- Self Adjusting Sensor
- Activation Indicator: BLUE LED on Sensor
- Low Battery Indicator: Flashing BLUE LED on Sensor
- Low Soap Indicator: Flashing RED LED on Sensor
- Reset Button Automatically Primes New Soap and Resets RED LED
- ADA Compliant
- Warranty: 3 Years (Limited)



## The ASD-500 Advantage

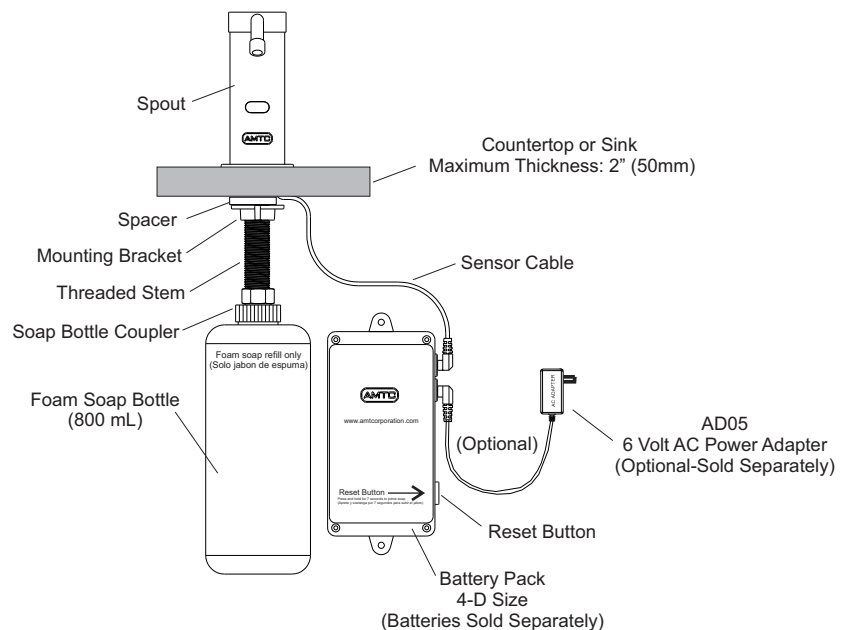
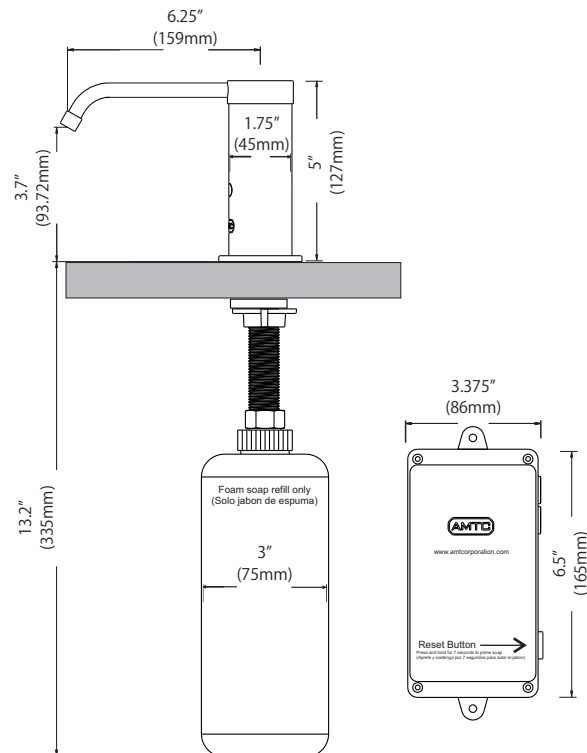
The ASD-500 automatic foam soap dispenser system operates using a gear motor drive mechanism. The spout is built of high quality solid polished brass. The design of the control unit allows for easy installation and conceals all mechanical and electrical components within dispensing head. A universal refillable soap container makes the ASD-500 automatic foam soap dispenser system ideal and efficient.

## Alternate Power Options

- AD05 Plug-in 6 Volt AC Power Adapter for One Device
- AD05-2 Plug-in 6 Volt AC Power Adapter w/Extension for 2 Devices
- AD05-2-EXT Extension Only for AC Power Adapter

Architect/Engineer Approval	
Job Name	_____
Date	_____
Model Specified	_____
Quantity	_____
Variations Specified	_____
Customer/Wholesaler	_____
Contractor	_____
Architect	_____

For Finish Variations Please Consult Factory



Advanced Modern Technologies Corporation • 19800 Nordhoff Place • Chatsworth, CA 91311  
Tel: (818) 883-2682 • Toll Free: (800) 874-7822 • Fax: (818) 883-2620 • www.amtcorporation.com