



SENSOR FLUSH VALVE & FAUCET ACCESSORIES

6 Volt AC/DC Transformer for Electrical Hardwiring

Model
AMTCTRANS6VDC

FUNCTION:

6 Volt AC/DC power transformer used to hardwire AMTC sensor flush valve and/or sensor faucet systems.

TECHNICAL SPECIFICATIONS:

INPUT:

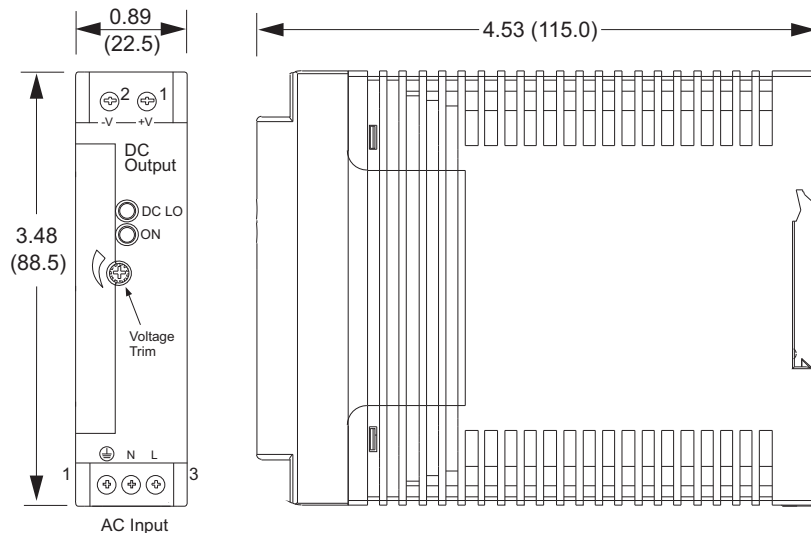
Input Voltage: 90-264 VAC, 120-375 VDC
 Input Frequency: 47-63 Hz
 Input Current: 5-18 W: 10/18 A at 115/230 VAC
 Power Factor: EN61000-3-2, class A
 Earth Leakage Current: 0.8 mA max
 Input Protection: Internal fuse T2A, 250 VAC fitted in line

OUTPUT:

Output Voltage: 5 V
 Output Voltage Trim: 4.50-5.75 V, 2 A
 Initial Set Accuracy: ±1%
 Minimum Load: No minimum load required
 Start Up Delay: <1 s (may increase at low temp. extremes)
 Start Up Rise Time: <150 ms
 Hold Up Time: 30/130 ms at 115/230 VAC
 Line Regulation: 5-18 W: ±1.0% max.
 Load Regulation: 5-18 W: ±2.0% max.
 Transient Response: 4% max. deviation recovery to within 1% in 2 ms for a 50% load change (may increase at low temp. extremes)
 Ripple & Noise: 50 mV pk-pk, 20 MHz bandwidth (may increase at low temp. extremes)
 Overvoltage Protection: Output clamps at 120-145% Vnom, auto recovery
 Overload Protection: 110-145% constant current
 Short Circuit Protection: Power limited, auto recovery
 Temperature Coefficient: ±0.03%/°C



*One transformer can operate up to twenty (20) fixtures.
 For use with AEF-801 Series Sensor Flush Valves.
 For use with AEF-3XX Series Sensor Faucets.



SAFETY APPROVALS:

UL 1310 Class 2
 ANSI/ISA 12.12.01
 Class 1, Division 2

Connections		
Conn	Pin	Designation
AC Input	1	Ground
	2	Neutral
	3	Line
DC Output	1	Positive
	2	Negative

Notes

- All dimensions in inches (mm).
- Weight 0.33 lb (150 g) approx.
- Tolerance: ±0.02 (0.5) maximum.
- Connection screw maximum torque:
Input: 9 lbs-in (1.0 Nm), Output: 5.5 lbs-in (0.6 Nm)

Advanced Modern Technologies Corporation • 19800 Nordhoff Place • Chatsworth, CA 91311
 Tel: (818) 883-2682 • Toll Free: (800) 874-7822 • Fax: (818) 883-2620 • www.amtccorporation.com