



HYBRIDFLUSH® TOP MOUNT

AUTOMATIC/MANUAL RETROFIT FOR WATER CLOSETS (TOILETS)

Model
AEF-802-RT

Description

Battery Powered, Sensor Operated HYBRIDFLUSH® Top Mount Retrofit Conversion Kit for Exposed Water Closet (Toilet) Flushometers.

Flush Cycle

- Model AEF-802-RT-11 (1.1 gpf/4.2 Lpf)
- Model AEF-802-RT-12 (1.28 gpf/4.8 Lpf)
- Model AEF-802-RT-16 (1.6 gpf/6.0 Lpf)
- Model AEF-802-RT-35 (3.5 gpf/13.2 Lpf)

Retrofit Options (Add suffix to model number for variations)

- S Retrofit for Sloan® Valve Bodies
- Z Retrofit for Zurn® Valve Bodies

Features

- Patented BRV® and Gear Motor Drive
- Hands Free Infrared Sensor Activation
- Vandal and Water Resistant Design
- Chrome Plated Brass Housing
- Quiet Operation
- Electronic Push Button (Top)
- True Mechanical Flush Button or Handle (Side)
- *Mechanical Button/Handle Works When Batteries are Drained
- Operates on (4) "AA" Alkaline Batteries (Included)
- Battery Life - 3+ Years
- "Low Battery" Blinking LED Indicator
- Easy Battery Replacement-No Water Shut Off Necessary
- Adjustable Sensor Angle
- Adjustable Sensor Distance
- Optional Three (3) Second Flush Delay Mode
- Optional 24-Hour Flush Mode
- Uses Proprietary Silicone Diaphragm with Filtered Bypass

Accessories (Add suffix to model number for accessories)

- HC801 Cover for Mechanical Flush Button/Handle
- PB-C Push Button Assembly



The HYBRIDFLUSH® Advantage

The **HYBRIDFLUSH®** is a revolutionary full-featured automatic/manual retrofit conversion kit. The **HYBRIDFLUSH®** incorporates a unique patented mechanism that allows for automatic/manual operation for unsurpassed reliability. The patented **HYBRIDFLUSH®** design allows for the original flush handle or push button to be used as an alternate flush option that is independent of the battery power. The **HYBRIDFLUSH®** by Advanced Modern Technologies Corporation is the most efficient, economical, and complete automatic flush valve system on the market.

Warranty
5 Years

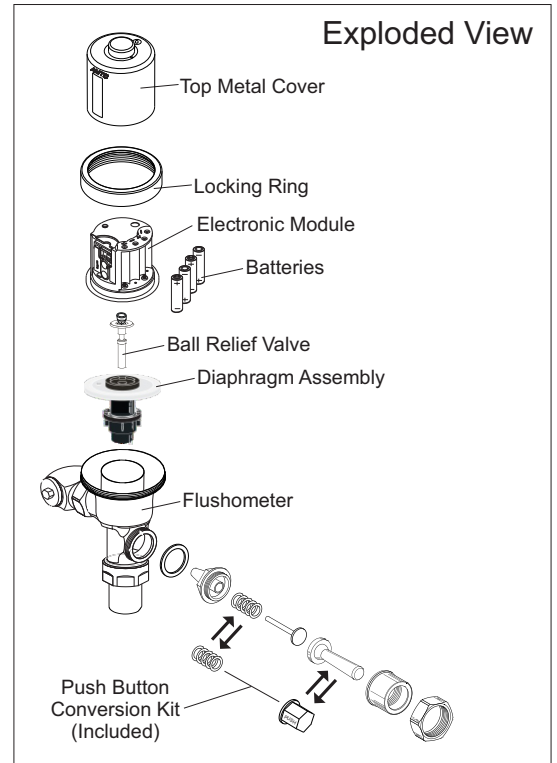


For Finish Variations Please Consult Factory

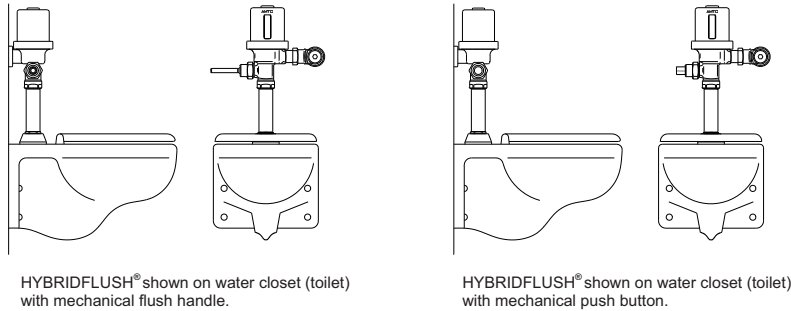
Architect/Engineer Approval	
Job Name	_____
Date	_____
Model Specified	_____
Quantity	_____
Variations Specified	_____
Customer/Wholesaler	_____
Contractor	_____
Architect	_____

Specifications:

Operation:	Hybrid (Automatic/Manual)
Outer Casing:	Standard-Chrome Metal
Operating Water Pressure:	15 PSI - 100 PSI
Sensor Type:	Infrared
Battery Type:	Four AA Alkaline Batteries
Battery Life:	3+ Years
Arming Delay:	5 Seconds
Flush Delay:	3 Seconds
Sensing Range:	18" (45cm) - 30" (75cm) Adjustable
Ghost Flush:	Once every 24 Hours From Last Flush
Sensor Angle:	Adjustable Angle
Flush Cycle:	Specified by Model
Model AEF-802-RT-11	1.1 gpf/4.2 Lpf
Model AEF-802-RT-12	1.28 gpf/4.8 Lpf
Model AEF-802-RT-16	1.6 gpf/6.0 Lpf
Model AEF-802-RT-35	3.5 gpf/13.2 Lpf
Flush Mode:	After Every Use
Manual Override:	Flush Button/Handle/None



Application:



Rough-In:

