



# HYBRIDFLUSH® TOP MOUNT

AUTOMATIC/MANUAL WATER CLOSET FLUSHOMETER

Model  
AEF-801DF-HWCT-16

## Description

Hardwired, Sensor Operated HYBRIDFLUSH® Top Mount Exposed Dual-Flush Water Closet (Toilet) Flushometer for Floor Mounted or Wall Hung Top Spud Bowls.

## Flush Cycle

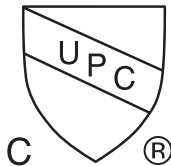
Model AEF-801DF-HWCT-16 (1.6 gpf/6.0 Lpf and 1.1 gpf/4.2 Lpf)

## Features

- User present for less than 60 seconds initiates a reduced flush (1.1 gpf/4.2 Lpf) eliminating liquid and paper waste
- User present for more than 60 seconds initiates a full flush (1.6 gpf/6.0 Lpf) eliminating solid and paper waste
- Reduced flush consumes up to 30% less water
- Patented BRV® and Gear Motor Drive
- Hands Free Infrared Sensor Activation
- Vandal and Water Resistant Design
- Chrome Plated All Metal Housing
- Quiet Operation
- True Mechanical Flush Button (Side)
- \*Mechanical Button Works When Electrical Power is Out
- Operates on 6-Volt DC Power (Transformer Sold Separately)
- Adjustable Sensor Angle
- Adjustable Sensor Distance
- Optional Three (3) Second Flush Delay Mode
- Optional 24-Hour Flush Mode
- Uses Proprietary Silicone Diaphragm with Filtered Bypass
- 1" I.P.S. Angle Stop
- Adjustable Tailpiece
- High Back Pressure Vacuum Breaker with Single Piece Hex Coupling Nut
- Spud Coupling and Flange for 1 1/2" Top Spud
- Sweat Solder Kit and Wall Flange with Set Screw
- High Efficiency For Water Conservation

## Code Compliance (Listed By IAPMO)

- ASSE 1037-2015
- ASME A112.1035-2015
- CSA B125.37-15



\*AEF-801DF-HWCT units include a Valve Body, Supply Stop and Vacuum Breaker.

## The HYBRIDFLUSH® Advantage

The HYBRIDFLUSH® is a revolutionary full-featured automatic/manual flushometer. The HYBRIDFLUSH® incorporates a unique patented mechanism that allows for automatic/manual operation for unsurpassed reliability. The patented HYBRIDFLUSH® design allows for the original flush handle or push button to be used as an alternate flush option that is independent of the electrical power. The HYBRIDFLUSH® by Advanced Modern Technologies Corporation is the most efficient, economical, and complete automatic flush valve system on the market.

Warranty  
5 Years



## Accessories (Add suffix to model number for accessories)

- AMTCTRANS6VDC - 6-Volt AC/DC Transformer
- HC801 - Cover for Mechanical Flush Button

For Finish Variations Please Consult Factory

### Architect/Engineer Approval

Job Name	_____
Date	_____
Model Specified	_____
Quantity	_____
Variations Specified	_____
Customer/Wholesaler	_____
Contractor	_____
Architect	_____

The information contained in this document is subject to change without notice.  
Revision (03/21)



# HYBRIDFLUSH<sup>®</sup> TOP MOUNT

AUTOMATIC/MANUAL WATER CLOSET FLUSHOMETER

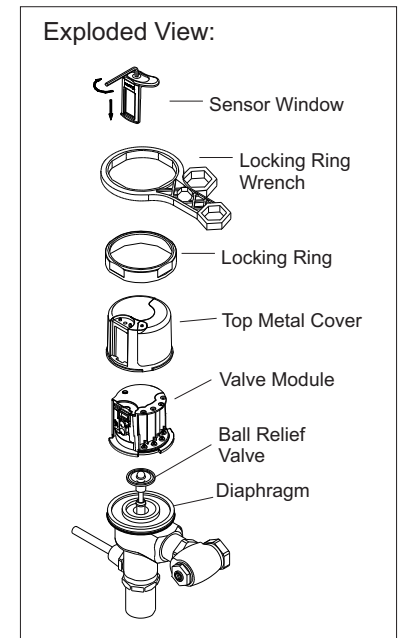
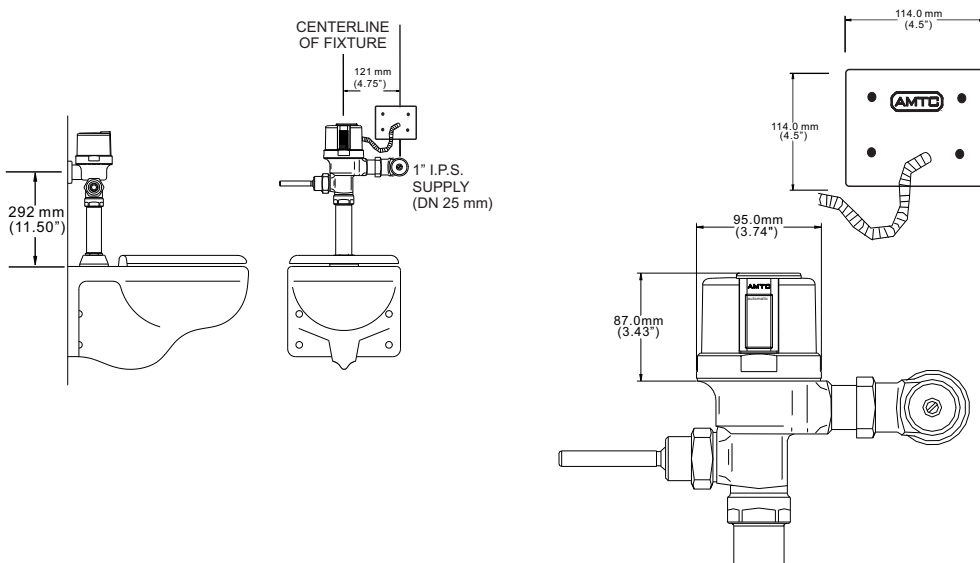
Model  
AEF-801DF-HWCT-16

## Specifications:

<b>Operation:</b>	<b>Hybrid (Automatic/Manual)</b>
<b>Outer Casing:</b>	<b>Standard-Chrome Metal</b>
<b>Operating Water Pressure:</b>	<b>15 PSI - 100 PSI</b>
<b>Sensor Type:</b>	<b>Infrared</b>
<b>Power Type:</b>	<b>6-Volt DC Power</b>
<b>Arming Delay:</b>	<b>5 Seconds</b>
<b>Flush Delay:</b>	<b>3 Seconds</b>
<b>Sensing Range:</b>	<b>18" (45cm) - 30" (75cm) Adjustable</b>
<b>Ghost Flush:</b>	<b>Once Every 24 Hours From Last Flush</b>
<b>Sensor Angle:</b>	<b>Adjustable Angle</b>
<b>Flush Cycle:</b>	<b>Specified by Model</b>
<b>Model AEF-801DF-HWCT-16</b>	<b>1.6 gpf/6.0 Lpf and 1.1 gpf/4.2 Lpf</b>
<b>Flush Mode:</b>	<b>After Every Use</b>
<b>Manual Override:</b>	<b>Mechanical Flush Button or None</b>

<b>Description:</b>	<b>Hardwiring Kit</b>
<b>Wire Length:</b>	<b>24"</b>
<b>Conduit Length:</b>	<b>7"</b>
<b>Wall Plate Length:</b>	<b>4.5" (114mm)</b>
<b>Wall Plate Width:</b>	<b>4.5" (114mm)</b>

## Application and Dimensions:



Advanced Modern Technologies Corporation • 8367 Canoga Avenue • Canoga Park, CA 91304  
Tel: (818) 883-2682 • Toll Free: (800) 874-7822 • Fax: (818) 883-2620 • [www.amtccorporation.com](http://www.amtccorporation.com)