



HYBRIDFLUSH® TOP MOUNT

AUTOMATIC CONCEALED RETROFIT FOR WATER CLOSETS (TOILETS)

Model
AEF-801-CRT

Description

Hardwired, Sensor Operated HYBRIDFLUSH® Top Mount
Retrofit Conversion Kit for Concealed Water Closet (Toilet) Flushometers.

Flush Cycle

- Model AEF-801-CRT-11 (1.1 gpf/4.2 Lpf)
- Model AEF-801-CRT-12 (1.28 gpf/4.8 Lpf)
- Model AEF-801-CRT-16 (1.6 gpf/6.0 Lpf)
- Model AEF-801-CRT-35 (3.5 gpf/13.2 Lpf)

Retrofit Options (Add suffix to model number for variations)

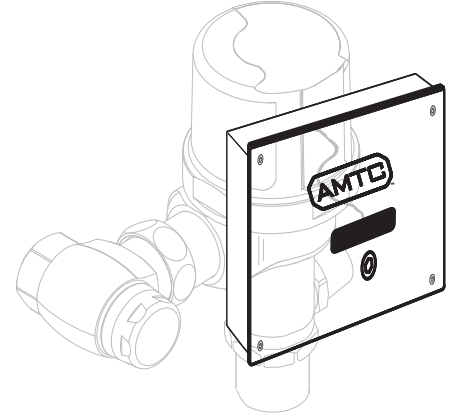
- S Retrofit for Sloan® Valve Bodies
- Z Retrofit for Zurn® Valve Bodies

Features

- Patented BRV® and Gear Motor Drive
- Wall Mounted Plate with Sensor
- Hands Free Infrared Sensor Activation
- Vandal and Water Resistant Design
- Chrome Plated All Metal Housing
- Quiet Operation
- Electronic Flush Button
- Operates on 6-Volt DC Power (Transformer Sold Separately)
- Adjustable Sensor Distance
- Optional Three (3) Second Flush Delay Mode
- Optional 24-Hour Flush Mode
- Uses Proprietary Silicone Diaphragm with Filtered Bypass

Accessories (Add suffix to model number for accessories)

- AMTCTRANS6VDC - 6-Volt AC/DC Transformer



*AEF-801-CRT units DO NOT include a Valve Body, Supply Stop or Vacuum Breaker.

The HYBRIDFLUSH® Advantage

The **HYBRIDFLUSH®** is a revolutionary full-featured automatic flush valve. The **HYBRIDFLUSH®** incorporates a unique patented mechanism that allows for unsurpassed reliability. The **HYBRIDFLUSH®** by Advanced Modern Technologies Corporation is the most efficient, economical, and complete automatic flush valve system on the market.

Warranty
5 Years



Architect/Engineer Approval

Job Name	_____
Date	_____
Model Specified	_____
Quantity	_____
Variations Specified	_____
Customer/Wholesaler	_____
Contractor	_____
Architect	_____

For Finish Variations Please Consult Factory



HYBRIDFLUSH® TOP MOUNT

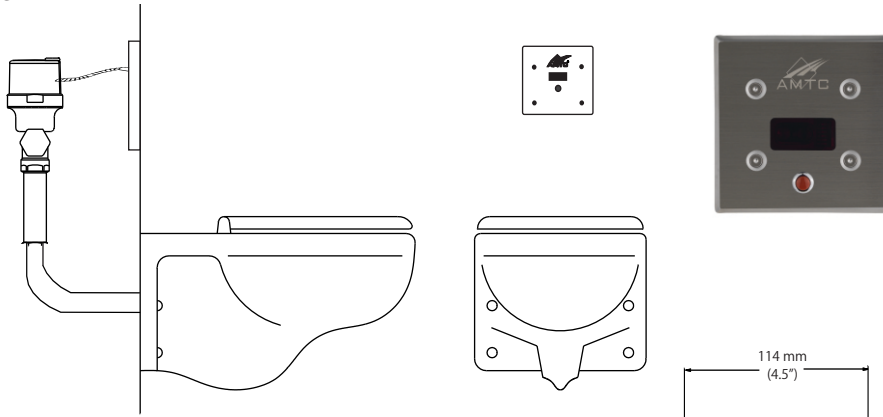
AUTOMATIC CONCEALED RETROFIT FOR WATER CLOSETS (TOILETS)

Model
AEF-801-CRT

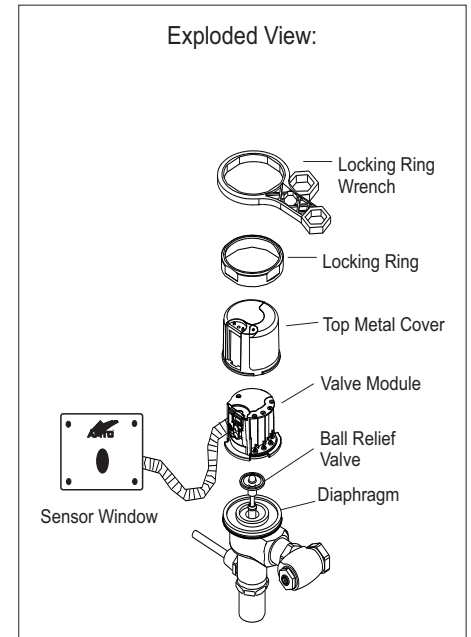
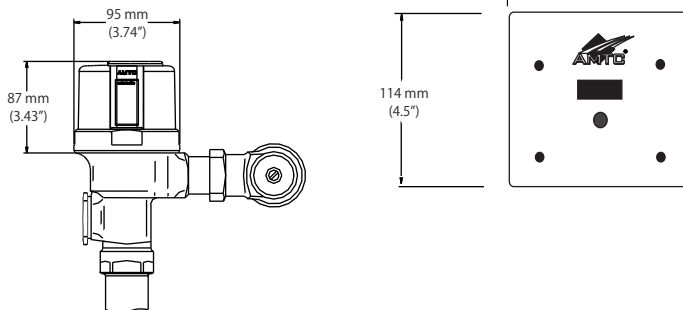
Specifications:

Operation:	Automatic
Outer Casing:	Standard-Chrome Metal
Operating Water Pressure:	15 PSI - 100 PSI
Sensor Type:	Infrared
Power Type:	6-Volt DC Power
Arming Delay:	5 Seconds
Flush Delay:	3 Seconds
Sensing Range:	18" (45cm) - 30" (75cm) Adjustable
Ghost Flush:	Once every 24 Hours From Last Flush
Sensor Angle:	Fixed Angle
Flush Cycle:	Specified by Model
Model AEF-801-CRT-11	1.1 gpf/4.2 Lpf
Model AEF-801-CRT-12	1.28 gpf/4.8 Lpf
Model AEF-801-CRT-16	1.6 gpf/6.0 Lpf
Model AEF-801-CRT-35	3.5 gpf/13.2 Lpf
Flush Mode:	After Every Use
Manual Override:	Electronic Flush Button

Application:



Dimensions:



Advanced Modern Technologies Corporation • 19800 Nordhoff Place • Chatsworth, CA 91311
Tel: (818) 883-2682 • Toll Free: (800) 874-7822 • Fax: (818) 883-2620 • www.amtccorporation.com