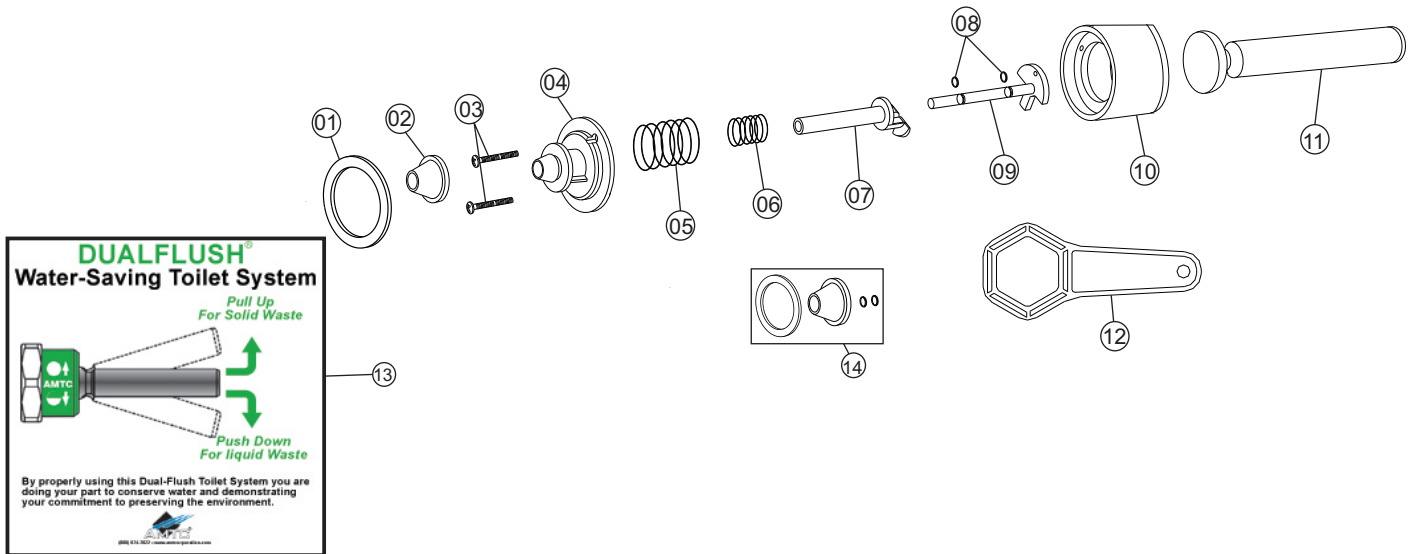


DUALFLUSH® Handle Parts List



REF #	PART #	DESCRIPTION	QTY
01	ADH01	Washer	1
02	ADH02	Seal	1
03	ADH03	Screw (2)	2
04	ADH04T16	Bushing 1.6gpf (green)	1
	ADH04T35	Bushing 3.5gpf (blue)	1
05	ADH05T	Outer Spring	1
06	ADH06T	Inner Spring	1
07	ADH07T	Outer Shaft	1
08	ADH08T	O-Ring (2)	2
09	ADH09T	Inner Shaft	1
10	ADH10T	Socket	1
11	ADH11	Handle	1
12	ADH12	Wrench	1
13	ADH13T	Wall Sign (Set of 2)	1
14	ADH14T	Seal Repair Kit	1