



Floor Mount High Efficiency Flush Valve System

Model MF1012T12

Description

Complete HET System with Exposed Manual Water Closet Flushometer and Vitreous China Fixture.

Flush Cycle

Model MF1012T12 (1.28 gpf/4.8 Lpf)

Specifications

Flushometer Specification (Model MF-700-T12)

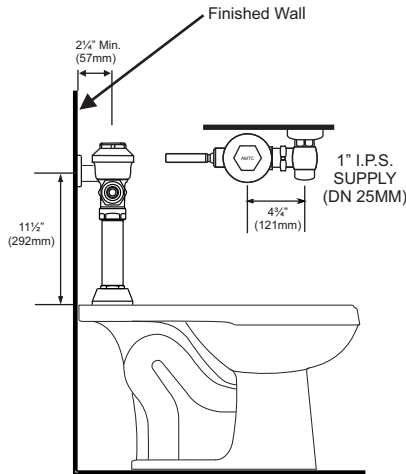
- Chrome Plated, Exposed, Diaphragm Type Water Closet Flushometer for Use with Right or Left Side Water Supply
- Quiet Operation
- Uses Proprietary Silicone Diaphragm with Filtered Bypass
- ADA Compliant Non-Hold Open Sealed Brass Handle
- 1" I.P.S. Angle Stop
- Adjustable Tailpiece
- High Back Pressure Vacuum Breaker with Single Piece Hex Coupling Nut
- Spud Coupling and Flange for 1 1/2" Top Spud
- Sweat Solder Kit and Wall Flange with Set Screw
- No External Water Volume Adjustment
- High Efficiency for Water Conservation

Compliance & Certifications

- ASSE 1037-2015
- ASME A112.1035-2015
- CSA B125.37-15



For Finish Variations Please Consult Factory

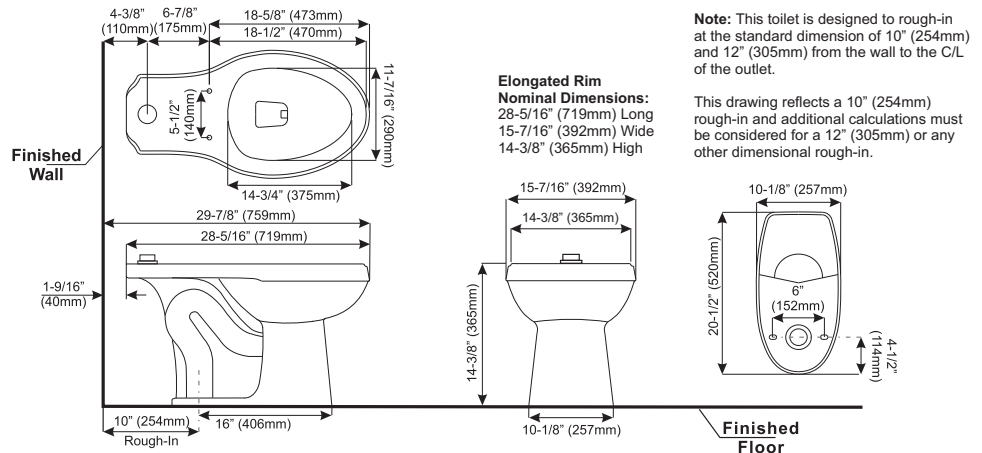


Fixture Specification (Model AUT-1012)

- White Color
- Vitreous China
- Floor Mount Water Closet Bowl
- Elongated Rim
- 10" (254mm) Rough-In
- 1-1/2" (38mm) I.P.S. Top Spud Inlet
- 2" (50mm) Fully Glazed Trapway
- 11" (279mm) x 13" (330mm) Water Surface Area
- Direct Feed Jet
- 100% Factory Tested
- Toilet Seat Not Included

Compliance & Certifications

- ASME A112.19.2/CSA B45.1
- Energy Act of 1992
- ICC-ES PMG® Certified
- WaterSense® Listed



Plumbing System Requirements

- Minimum Flowing Pressure: 25 PSI
- Maximum Static Pressure: 80 PSI
- Minimum Flow Rate: 25 GPM

Disclaimer

Note: All vitreous china dimensions shown in these drawings are nominal and not to scale. Dimensions can vary within the tolerances established in the governing ASME A112.19.2/CSA B45.1 standard. It is important to consider this when planning rough-in and plumbing layouts.



Warranty
5 Years

This space for Architect/Engineer Approval

The information contained in this document is subject to change without notice.