



# HYBRIDFLUSH® AUTOMATIC

## ADA Floor Mount Low Consumption Flush Valve System

Model  
HSM1012AT16

### Description

Battery Powered, Sensor Operated HYBRIDFLUSH® Side Mount Complete LC System with Exposed Automatic Water Closet Flushometer and ADA Vitreous China Fixture.

### Flush Cycle

Model HSM1012AT16 (1.6 gpf/6.0 Lpf)

### Specifications

#### Flushometer Specification (Model HSM-801-CT-16)

- Patented Gear Motor Drive
- Hands Free Infrared Sensor Activation
- Vandal and Water Resistant Design
- Chrome Plated Metal Housing
- Quiet Operation
- Electronic Manual Flush Button (Front)
- True Mechanical Manual Flush Button (Side)
- \*Mechanical Button Works When Batteries are Drained
- Operates on (4) "C" Alkaline Batteries (Included)
- Battery Life - 3+ Years
- "Low Battery" Blinking LED Indicator
- Easy Battery Replacement-No Water Shut Off Necessary
- Adjustable Sensor Distance
- Optional Three (3) Second Flush Delay Mode
- Optional 24-Hour Flush Mode
- Uses Proprietary Silicone Diaphragm with Filtered Bypass
- 1" I.P.S. Angle Stop
- Adjustable Tailpiece
- High Back Pressure Vacuum Breaker with Single Piece Hex Coupling Nut
- Spud Coupling and Flange for 1 1/2" Top Spud
- Sweat Solder Kit and Wall Flange with Set Screw
- Low Consumption For Water Conservation

#### Compliance & Certifications

- ASSE 1037-2015
- ASME A112.1035-2015
- CSA B125.37-15



For Finish Variations Please Consult Factory

#### Fixture Specification (Model AUT-1012A)

- Complies with ADA Accessible Standards
- White Color
- Vitreous China
- Floor Mount Water Closet Bowl
- Elongated Rim
- 10" (254mm) Rough-In
- 1-1/2" (38mm) I.P.S. Top Spud Inlet
- 2" (50mm) Fully Glazed Trapway
- 11-1/2" (292mm) x 13" (330mm) Water Surface Area
- Direct Feed Jet
- 100% Factory Tested
- Toilet Seat Not Included

#### Compliance & Certifications

- ASME A112.19.2/CSA B45.1
- Energy Act of 1992
- ADA- With installation consideration for section 604 Water Closets, Accessibility Guidelines.
- ICC/ANSI A117.1
- TAS - With installation consideration for section: 4.16.3. Adult seat height 17" (432mm) to 19" (483mm).
- CSA B651 - With installation consideration for Clause 4.3.6 of the standard.
- ICC-ES PMG® Certified



#### Plumbing System Requirements

- Minimum Flowing Pressure: 25 PSI
- Maximum Static Pressure: 80 PSI
- Minimum Flow Rate: 25 GPM



### The HYBRIDFLUSH® Advantage

The HYBRIDFLUSH® is a revolutionary full-featured automatic/manual flush valve system. The HYBRIDFLUSH® incorporates a unique patented mechanism that allows for automatic/manual operation for unsurpassed reliability. The patented HYBRIDFLUSH® design allows for a push button to be used as an alternate flush option that is independent of the battery power. The HYBRIDFLUSH® by Advanced Modern Technologies Corporation is the most efficient, economical, and complete automatic flush valve system on the market.

Warranty  
5 Years



  
ADA Compliant

### Architect/Engineer Approval

|                      |       |
|----------------------|-------|
| Job Name             | _____ |
| Date                 | _____ |
| Model Specified      | _____ |
| Quantity             | _____ |
| Variations Specified | _____ |
| Customer/Wholesaler  | _____ |
| Contractor           | _____ |
| Architect            | _____ |



# HYBRIDFLUSH<sup>®</sup> AUTOMATIC

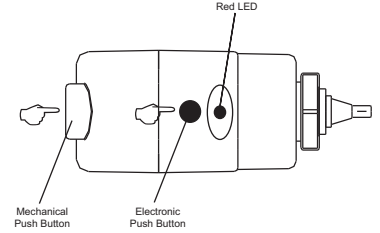
ADA Floor Mount Low Consumption Flush Valve System

Model  
HSM1012AT16

## Specifications

|                                  |   |
|----------------------------------|---|
| <b>Operation:</b>                | <b>Hybrid (Automatic/Manual)</b>                |
| <b>Outer Casing:</b>             | <b>Standard-Chrome Metal</b>                    |
| <b>Operating Water Pressure:</b> | <b>15 PSI - 100 PSI</b>                         |
| <b>Sensor Type:</b>              | <b>Infrared</b>                                 |
| <b>Battery Type:</b>             | <b>Four "C" Alkaline Batteries</b>              |
| <b>Battery Life:</b>             | <b>3+ Years</b>                                 |
| <b>Arming Delay:</b>             | <b>5 Seconds</b>                                |
| <b>Sensing Range:</b>            | <b>Adjustable, Default Set to 24" (610mm)</b>   |
| <b>Operation Mode:</b>           | <b>Can be Turned On and Off</b>                 |
| <b>Water Saver Mode:</b>         | <b>N/A</b>                                      |
| <b>Flush Delay Mode:</b>         | <b>3 Seconds Delay Before Activating Flush</b>  |
| <b>24 Hour Flush Mode:</b>       | <b>Once Every 24 Hours After Last User</b>      |
| <b>Flush Cycle:</b>              | <b>Specified by Model</b>                       |
| <b>Model HSM1012AT16</b>         | <b>1.6 gpf/6.0 Lpf</b>                          |
| <b>Manual Override:</b>          | <b>Electronic Button/True Mechanical Button</b> |

## Visual Indicator Guide

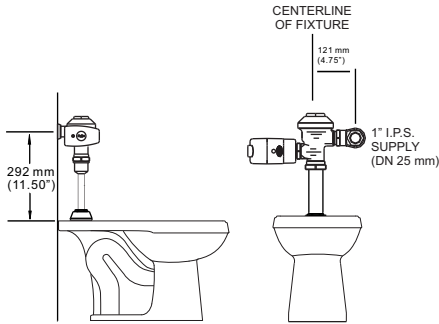


**Red LED** - Constant blinking red LED indicates batteries are low and need replacing.

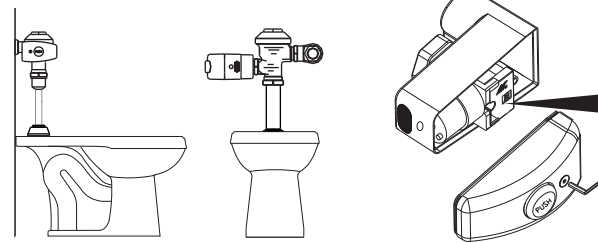
**Electronic Push Button** - Allows manual activation of flush when needed.

**Mechanical Push Button** - Allows manual activation of flush when needed and when batteries are drained.

## Dimensions



## Application

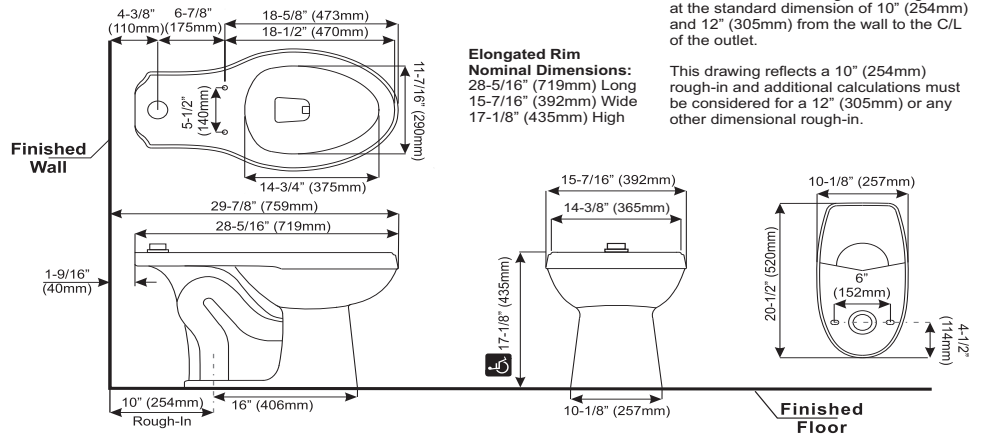
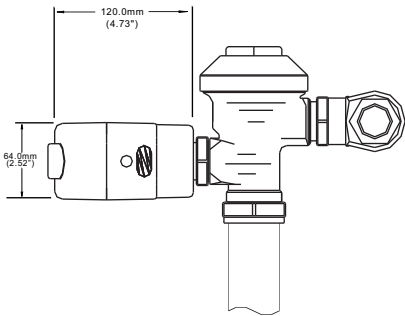


**Mode Adjustment Guide**

**Switch 1 : Water Saver**  
 OFF - Flushes after every user  
 ON - Not Applicable For Water Closets (Toilets)

**Switch 2 : 24 Hour Flush**  
 OFF - None  
 ON - Flushes once every 24 hours after last user

**Switch 3 : Flush Delay**  
 OFF - 3 seconds delay before activating a flush  
 ON - No delay



## Disclaimer

Note: All vitreous china dimensions shown in these drawings are nominal and not to scale. Dimensions can vary within the tolerances established in the governing ASME A112.19.2/CSA B45.1 standard. It is important to consider this when planning rough-in and plumbing layouts.

Advanced Modern Technologies Corporation • 19800 Nordhoff Place • Chatsworth, CA 91311  
 Tel: (818) 883-2682 • Toll Free: (800) 874-7822 • Fax: (818) 883-2620 • www.amtccorporation.com