



# HYBRIDFLUSH<sup>®</sup> AUTOMATIC Floor Mount High Efficiency Flush Valve System

Model  
AEFC1012T16DF

## Description

Hardwired, Sensor Operated HYBRIDFLUSH<sup>®</sup> Top Mount Complete HET System with Concealed Dual-Flush Automatic Water Closet Flushometer and Top Spud Vitreous China Fixture.



## Flush Cycle

Model AEFC1012T16DF (1.6 gpf/6.0 Lpf and 1.1 gpf/4.2 Lpf)

## Specifications

### Flushometer Specification (Model AEF-801DF-CCT-16)

- User present for less than 60 seconds initiates a reduced flush (1.1 gpf/4.2 Lpf) eliminating liquid and paper waste
- User present for more than 60 seconds initiates a full flush (1.6 gpf/6.0 Lpf) eliminating solid and paper waste
- Reduced flush consumes up to 30% less water
- Patented BRV<sup>®</sup> and Gear Motor Drive
- Wall Mounted Plate with Sensor
- Hands Free Infrared Sensor Activation
- Vandal and Water Resistant Design
- Chrome Plated All Metal Housing
- Quiet Operation
- Electronic Flush Button
- Operates on 6-Volt DC Power (Transformer Sold Separately)
- Adjustable Sensor Distance
- Optional Three (3) Second Flush Delay Mode
- Optional 24-Hour Flush Mode
- Uses Proprietary Silicone Diaphragm with Filtered Bypass
- 1" I.P.S. Angle Stop
- Adjustable Tailpiece
- High Back Pressure Vacuum Breaker with Single Piece Hex Coupling Nut
- Spud Coupling and Flange for 1 1/2" Top Spud
- Sweat Solder Kit and Wall Flange with Set Screw
- High Efficiency For Water Conservation



## The HYBRIDFLUSH<sup>®</sup> Advantage

The HYBRIDFLUSH<sup>®</sup> is a revolutionary full-featured automatic flush valve system. The HYBRIDFLUSH<sup>®</sup> incorporates a unique patented mechanism that allows for unsurpassed reliability. The HYBRIDFLUSH<sup>®</sup> by Advanced Modern Technologies Corporation is the most efficient, economical, and complete automatic flush valve system on the market.

## Compliance & Certifications

- ASSE 1037-2015
- ASME A112.1035-2015
- CSA B125.37-15



For Finish Variations Please Consult Factory

## Accessories (Add suffix to model number for accessories)

- AMTCTRANS6VDC - 6-Volt AC/DC Transformer

## Fixture Specification (Model AUT-1012)

- White Color
- Vitreous China
- Floor Mount Water Closet Bowl
- Elongated Rim
- 10" (254mm) Rough-In
- 1-1/2" (38mm) I.P.S. Top Spud Inlet
- 2" (50mm) Fully Glazed Trapway
- 11" (279mm) x 13" (330mm) Water Surface Area
- Direct Feed Jet
- 100% Factory Tested
- Toilet Seat Not Included

## Compliance & Certifications

- ASME A112.19.2/CSA B45.1
- Energy Act of 1992
- ICC-ES PMG<sup>®</sup> Certified



## Plumbing System Requirements

- Minimum Flowing Pressure: 25 PSI
- Maximum Static Pressure: 80 PSI
- Minimum Flow Rate: 25 GPM



Warranty  
5 Years



ADA Compliant

## Architect/Engineer Approval

Job Name	_____
Date	_____
Model Specified	_____
Quantity	_____
Variations Specified	_____
Customer/Wholesaler	_____
Contractor	_____
Architect	_____



# HYBRIDFLUSH<sup>®</sup> AUTOMATIC

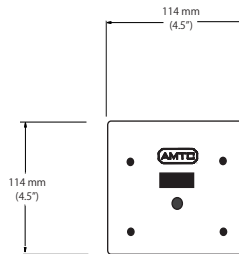
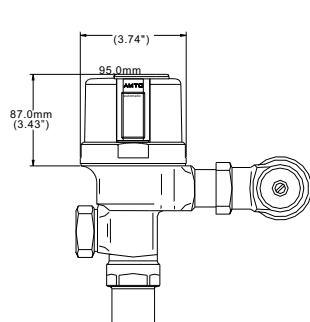
Floor Mount High Efficiency Flush Valve System

Model  
AEFC1012T16DF

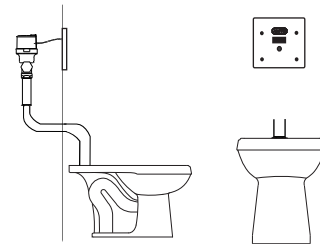
## Specifications

<b>Operation:</b>	<b>Automatic</b>
<b>Outer Casing:</b>	<b>Standard-Chrome Metal</b>
<b>Operating Water Pressure:</b>	<b>15 PSI - 100 PSI</b>
<b>Sensor Type:</b>	<b>Infrared</b>
<b>Power Type:</b>	<b>6-Volt DC Power</b>
<b>Arming Delay:</b>	<b>5 Seconds</b>
<b>Flush Delay:</b>	<b>3 Seconds</b>
<b>Sensing Range:</b>	<b>18" (45cm) - 30" (75cm) Adjustable</b>
<b>Ghost Flush:</b>	<b>Once Every 24 Hours From Last Flush</b>
<b>Sensor Angle:</b>	<b>Fixed Angle</b>
<b>Flush Cycle:</b>	<b>Specified by Model</b>
<b>Model AEFC1012T16DF</b>	<b>1.6 gpf/6.0 Lpf and 1.1 gpf/4.2 Lpf</b>
<b>Flush Mode:</b>	<b>After Every Use</b>
<b>Manual Override:</b>	<b>Electronic Flush Button</b>

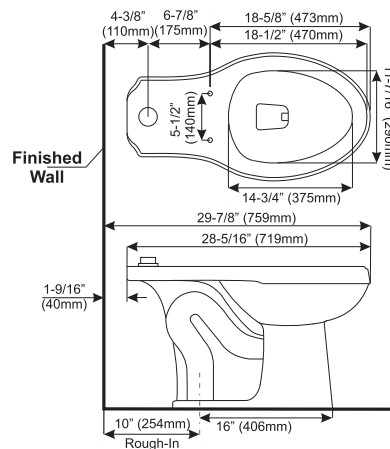
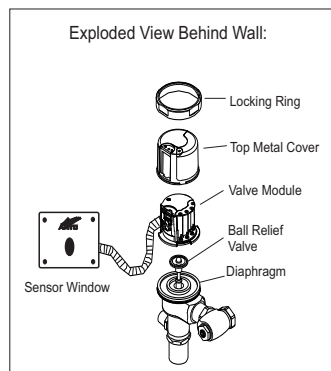
## Dimensions



## Application



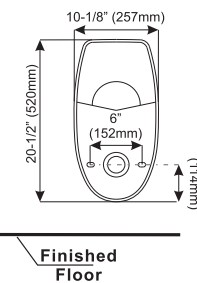
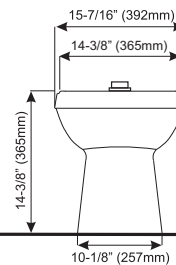
HYBRIDFLUSH<sup>®</sup> shown on water closet (toilet) with electrical flush button.



**Elongated Rim  
Nominal Dimensions:**  
28-5/16" (719mm) Long  
15-7/16" (392mm) Wide  
14-3/8" (365mm) High

**Note:** This toilet is designed to rough-in at the standard dimension of 10" (254mm) and 12" (305mm) from the wall to the C/L of the outlet.

This drawing reflects a 10" (254mm) rough-in and additional calculations must be considered for a 12" (305mm) or any other dimensional rough-in.



## Disclaimer

Note: All vitreous china dimensions shown in these drawings are nominal and not to scale. Dimensions can vary within the tolerances established in the governing ASME A112.19.2/CSA B45.1 standard. It is important to consider this when planning rough-in and plumbing layouts.

Advanced Modern Technologies Corporation • 19800 Nordhoff Place • Chatsworth, CA 91311  
Tel: (818) 883-2682 • Toll Free: (800) 874-7822 • Fax: (818) 883-2620 • [www.amtccorporation.com](http://www.amtccorporation.com)